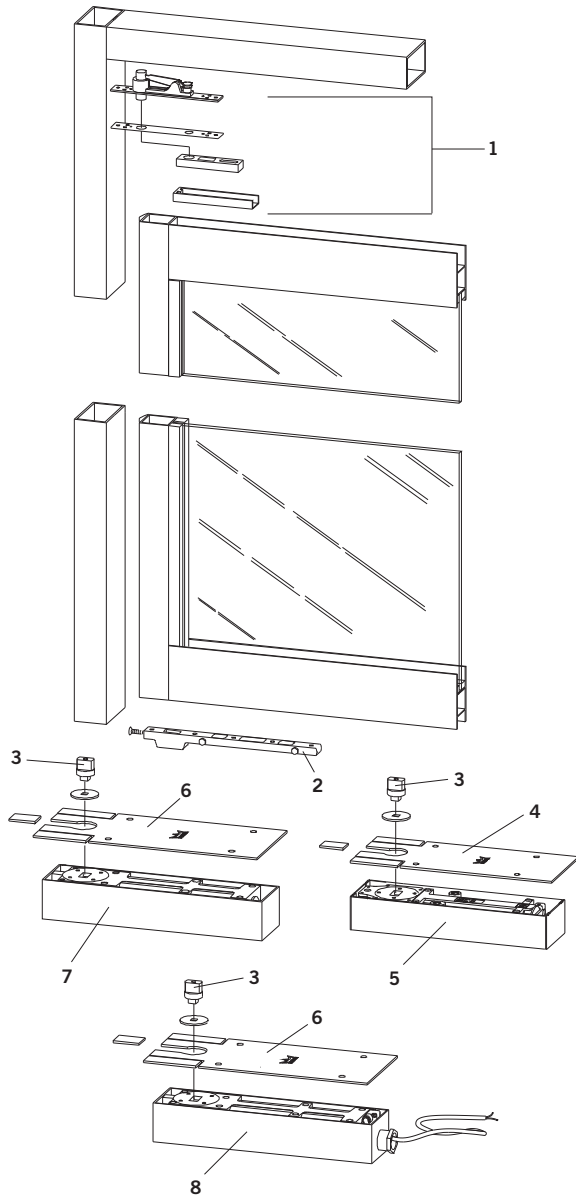




Applications and  
Accessories

# DORMA BTS

# Aluminum Door & Frame Center Hung - Double or Single Acting



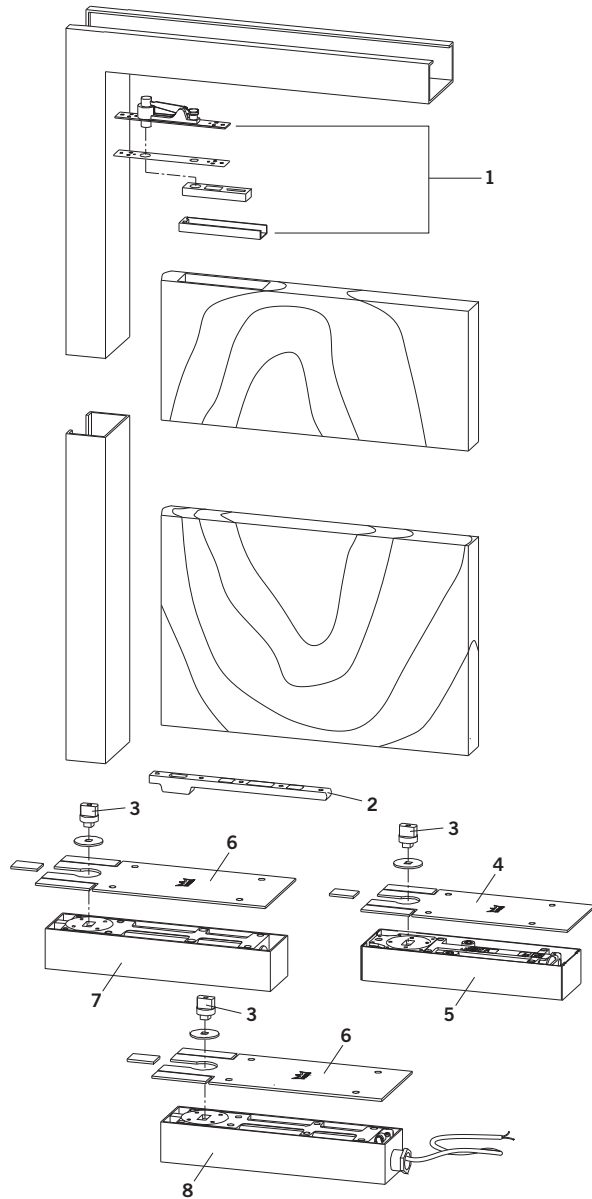
BTS 75V Packages		
Components	BTS 75V/A - Center Hung, Double-Acting	BTS 75V/G - Center Hung, Single-Acting
1. Top Pivot	8062	8062
2. Bottom Arm	7422	7422
3. Spindle	74010	80010
4. Cover Plate	7510	7510
5. Closer and Cement Case	BTS 75V	BTS 75V

BTS 80 Packages		
Components	BTS 80/A - Center Hung, Double-Acting	BTS 80/G - Center Hung, Single-Acting
1. Top Pivot	8062	8062
2. Bottom Arm	7422	7422
3. Spindle	74010	80010
6. Cover Plate	7410	7410
7. Closer and Cement Case	BTS 80	BTS 80

BTS 80 EMB Package	
Components	BTS 80 EMB/G - Center Hung, Single-Acting
1. Top Pivot	8062
2. Bottom Arm	7422
3. Spindle	80010
6. Cover Plate	7410
8. Closer and Cement Case	BTS 80 EMB

Specify hand for G packages.

## Wood or Steel Door & Frame Center Hung - Double or Single Acting



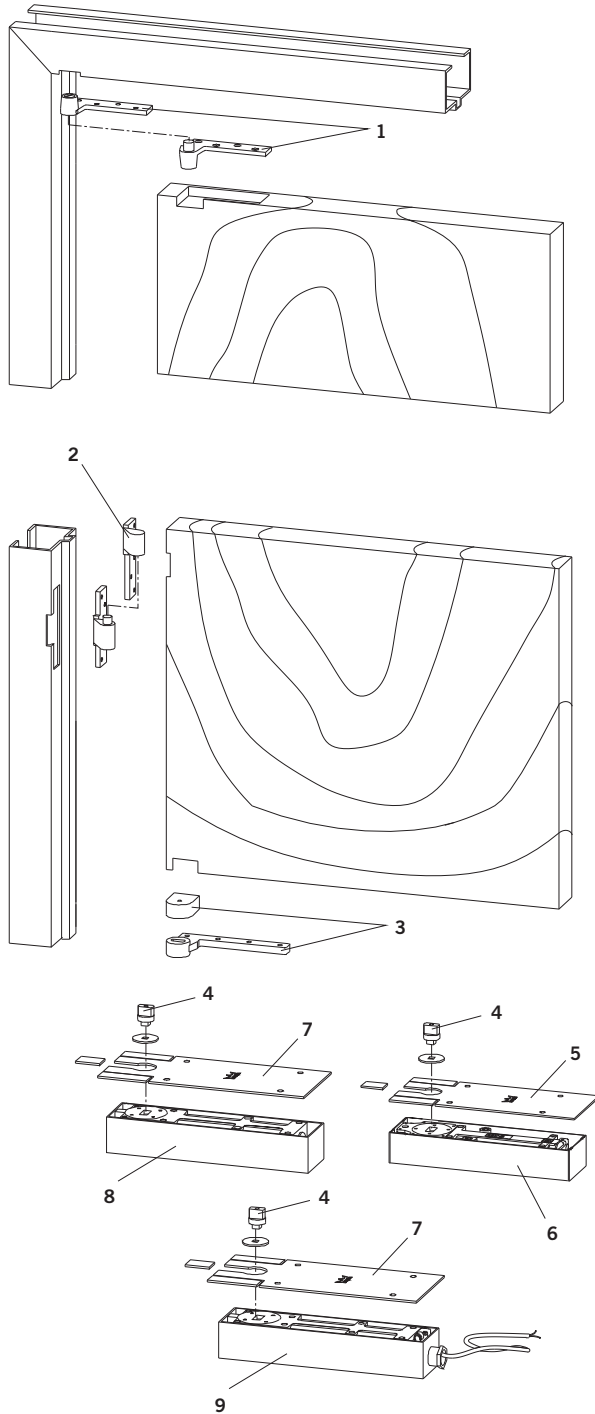
BTS 75V Packages		
Components	BTS 75V/B - Center Hung, Double-Acting	BTS 75V/H - Center Hung, Single-Acting
1. Top Pivot	8062	8062
2. Bottom Arm	7421	7421
3. Spindle	74010	80010
4. Cover Plate	7510	7510
5. Closer and Cement Case	BTS 75V	BTS 75V

BTS 80 Packages		
Components	BTS 80/B - Center Hung, Double-Acting	BTS 80/H - Center Hung, Single-Acting
1. Top Pivot	8062	8062
2. Bottom Arm	7421	7421
3. Spindle	74010	80010
6. Cover Plate	7410	7410
7. Closer and Cement Case	BTS 80	BTS 80

BTS 80 EMB Package	
Components	BTS 80 EMB/H - Center Hung, Single-Acting
1. Top Pivot	8062
2. Bottom Arm	7421
3. Spindle	80010
6. Cover Plate	7410
8. Closer and Cement Case	BTS 80 EMB

Specify hand for H packages.

### 3/4" Offset Hung - Single Acting



BTS 75V Packages			
Components	BTS 75V/D - 3/4" Offset, Standard	BTS 75V/E - 3/4" Offset, 20-Min Rated	BTS 75V/F - 3/4" Offset, Up to 3-Hr Rated
1. Top Pivot	75120	75122	75133
2. Intermediate Pivot	75220 (optional)	75222 (required)	75233 (required)
3. Bottom Arm	75323	75323	75323
4. Spindle	74010	74010	74010
5. Cover Plate	7510	7510	7510
6. Closer and Cement Case	BTS 75V	BTS 75V NHO	BTS 75V NHO

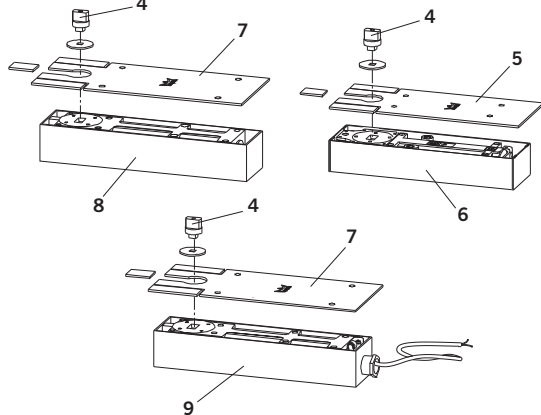
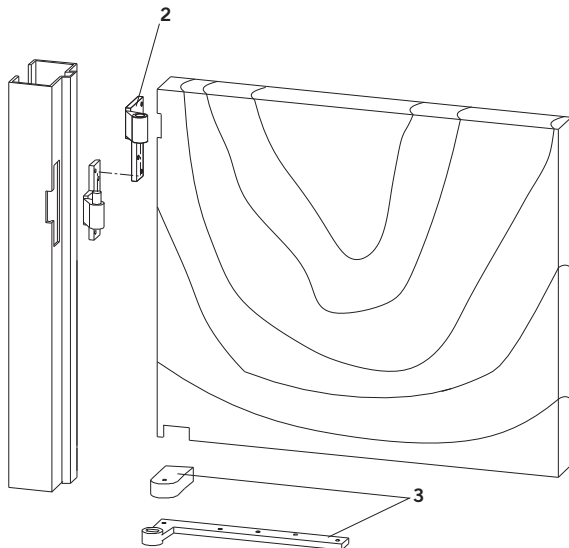
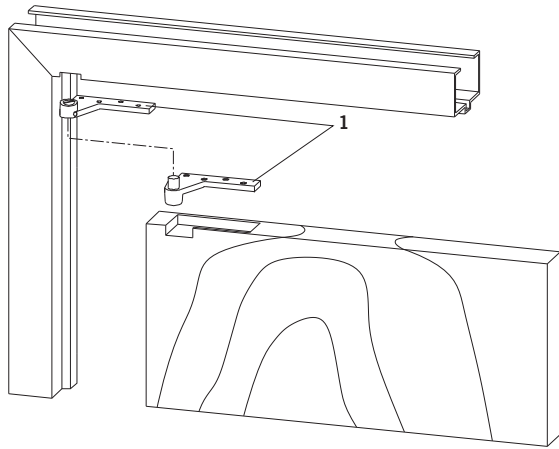
BTS 80 Packages			
Components	BTS 80/D - 3/4" Offset, Standard	BTS 80/E - 3/4" Offset, 20-Min Rated	BTS 80/F - 3/4" Offset, Up to 3-Hr Rated
1. Top Pivot	75120	75122	75133
2. Intermediate Pivot	75220 (optional)	75222 (required)	75233 (required)
3. Bottom Arm	75323	75323	75323
4. Spindle	74010	74010	74010
7. Cover Plate	7410	7410	7410
8. Closer and Cement Case	BTS 80	BTS 80F NHO	BTS 80F NHO

BTS 80 EMB Packages			
Components	BTS 80 EMB/D - 3/4" Offset, Standard	BTS 80 EMB/E - 3/4" Offset, 20-Min Rated	BTS 80 EMB/F - 3/4" Offset, Up to 3-Hr Rated
1. Top Pivot	75120	75122	75133
2. Intermediate Pivot	75220 (optional)	75222 (required)	75233 (required)
3. Bottom Arm	75323	75323	75323
4. Spindle	74010	74010	74010
7. Cover Plate	7410	7410	7410
9. Closer and Cement Case	BTS 80 EMB	BTS 80 EMB	BTS 80 EMB

NFPA 80 requires that labeled fire doors up to 60" in height be provided with 2 pivots and an additional pivot for each 30" of door height or fraction thereof. The same recommendation applies to non-labeled doors. Distance between pivots may exceed 30" on non-labeled doors.

Specify hand for D, E, and F packages.

## 1-1/2" Offset Hung - Single Acting



It is recommended that doors up to 60" in height be provided with two pivots and an additional pivot for each 30" of door height or fraction thereof. Distance between pivots may exceed 30" on non-labeled doors.

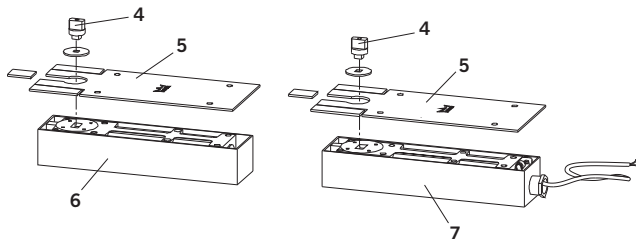
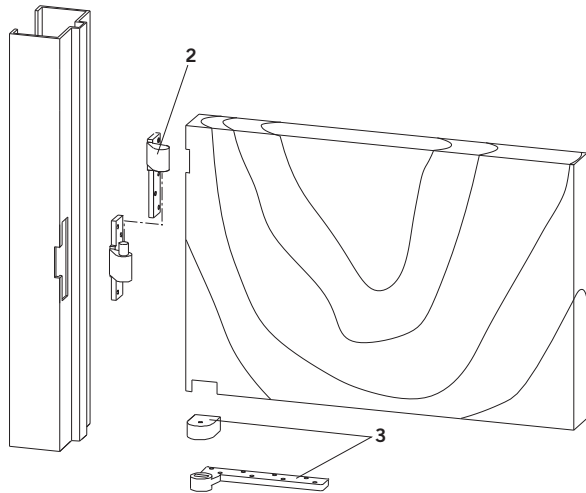
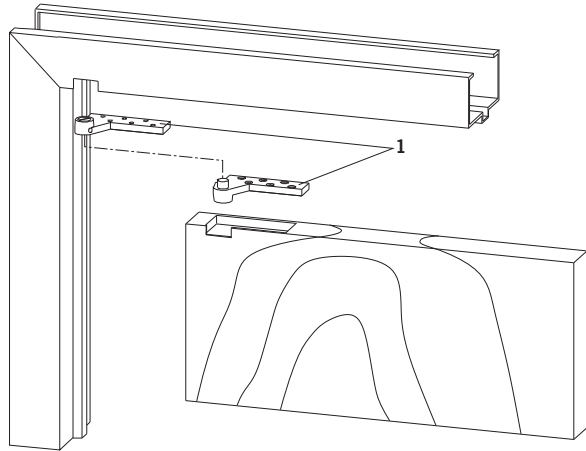
BTS 75V Packages			
Components	BTS 75V/C - 1-1/2" Offset, Standard	BTS 75V/CE - 1-1/2" Offset, 20-Min Rated	BTS 75V/CF - 1-1/2" Offset, Up to 3-Hr Rated
1. Top Pivot	15120	15122	15133
2. Intermediate Pivot	15220 (optional)	15222 (required)	15233 (required)
3. Bottom Arm	15323	15323	15323
4. Spindle	74010	74010	74010
5. Cover Plate	7510	7510	7510
6. Closer and Cement Case	BTS 75V	BTS 75V NHO	BTS 75V NHO

BTS 80 Packages			
Components	BTS 80/C - 1-1/2" Offset, Standard	BTS 80/CE - 1-1/2" Offset, 20-Min Rated	BTS 80/CF - 1-1/2" Offset, Up to 3-Hr Rated
1. Top Pivot	15120	15122	15133
2. Intermediate Pivot	15220 (optional)	15222 (required)	15233 (required)
3. Bottom Arm	15323	15323	15323
4. Spindle	74010	74010	74010
7. Cover Plate	7410	7410	7410
8. Closer and Cement Case	BTS 80	BTS 80F NHO	BTS 80F NHO

BTS 80 EMB Packages			
Components	BTS 80 EMB/C - 1-1/2" Offset, Standard	BTS 80 EMB/CE - 1-1/2" Offset, 20-Min Rated	BTS 80 EMB/CF - 1-1/2" Offset, Up to 3-Hr Rated
1. Top Pivot	15120	15122	15133
2. Intermediate Pivot	15220 (optional)	15222 (required)	15233 (required)
3. Bottom Arm	15323	15323	15323
4. Spindle	74010	74010	74010
7. Cover Plate	7410	7410	7410
9. Closer and Cement Case	BTS 80 EMB	BTS 80 EMB	BTS 80 EMB

Specify hand for C, CE, and CF packages.

# Lead-Lined Door 3/4" Offset Hung - Single Acting



BTS 80 Packages			
Components	BTS 80/L - 3/4" Offset, Lead-Lined, Standard	BTS 80/LE - 3/4" Offset, Lead-Lined, 20-Min Rated	BTS 80/LF - 3/4" Offset, Lead Lined, Up to 3-Hr Rated
1. Top Pivot	75140	75142	75143
2. Intermediate Pivot	75240 (optional)	75242 (required)	75243 (required)
3. Bottom Arm	75343	75343	75343
4. Spindle	74010	74010	74010
5. Cover Plate	7410	7410	7410
6. Closer and Cement Case	BTS 80	BTS 80F NHO	BTS 80F NHO

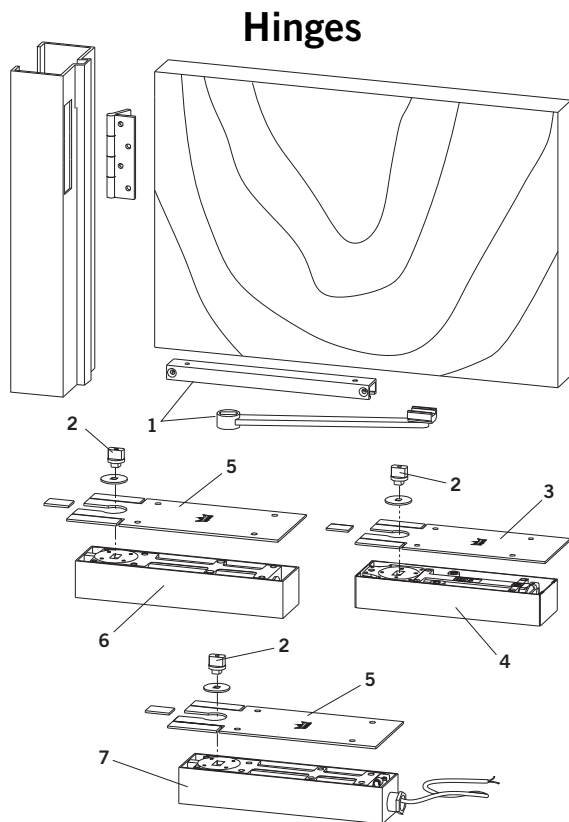
BTS 80 EMB Packages			
Components	BTS 80 EMB/L - 3/4" Offset, Lead-Lined, Standard	BTS 80 EMB/LE - 3/4" Offset, Lead-Lined, 20-Min Rated	BTS 80 EMB/LF - 3/4" Offset, Lead Lined, Up to 3-Hr Rated
1. Top Pivot	75140	75142	75143
2. Intermediate Pivot	75240 (optional)	75242 (required)	75243 (required)
3. Bottom Arm	75343	75343	75343
4. Spindle	74010	74010	74010
5. Cover Plate	7410	7410	7410
7. Closer and Cement Case	BTS 80 EMB	BTS 80 EMB	BTS 80 EMB

It is recommended that doors up to 60" in height shall be provided with two pivots and an additional pivot for each 30" of door height or fraction thereof. Distance between pivots may exceed 30" on non-labeled doors.

Specify hand for L, LE, and LF packages.

## Independently Hung Doors

Packages have been developed for use with 4-1/2" wide butt hinges. Applications using alternate hanging means should be submitted to DORMA's Technical Services Department for review and recommendation.



BTS 75V Packages		
	BTS 75V/I - Standard	BTS 75V/IF - 3-Hr Rated Steel, 1-1/2-Hr Rated Wood
<b>Components</b>		
1. Slide Arm Assembly	7451N	7451N
2. Spindle	74003	74003
3. Cover Plate	7510	7510
4. Closer and Cement Case	BTS 75V	BTS 75V NHO

BTS 80 Packages		
	BTS 80/I - Standard	BTS 80/IF - 3-Hr Rated Steel, 1-1/2-Hr Rated Wood
<b>Components</b>		
1. Slide Arm Assembly	7451N	7451N
2. Spindle	74003	74003
5. Cover Plate	7410	7410
6. Closer and Cement Case	BTS 80	BTS 80F NHO

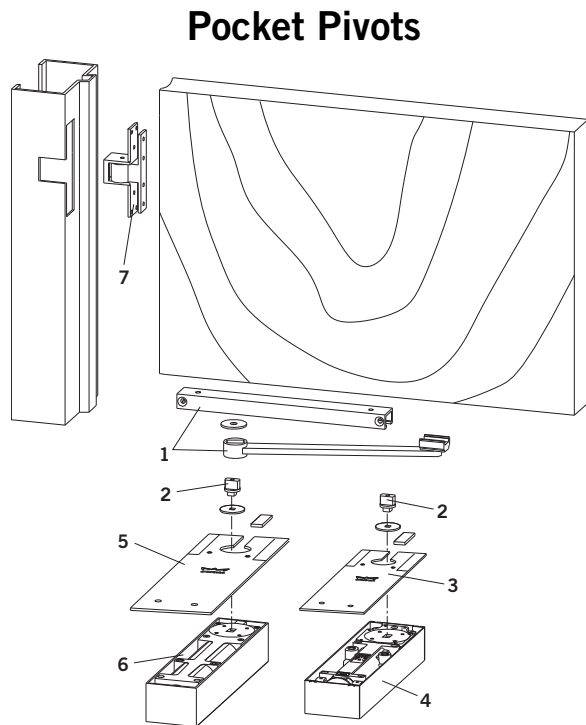
BTS 80 EMB Packages		
	BTS 80 EMB/I - Standard	BTS 80 EMB/IF - 3-Hr Rated Steel, 1-1/2-Hr Rated Wood
<b>Components</b>		
1. Slide Arm Assembly	7451N	7451N
2. Spindle	74003	74003
5. Cover Plate	7410	7410
7. Closer and Cement Case	BTS 80 EMB	BTS 80 EMB

- I packages mortise the track in the bottom of the door.
- I packages can be installed on the push or pull side of an opening.
- IF packages surface apply the track to the face of the door.

Specify hand for EMB/I and EMB/IF packages.

## Independently Hung Doors

Packages have been developed for use with pocket pivots. Applications using alternate hanging means should be submitted to DORMA's Technical Services Department for review and recommendation.



BTS 75V Packages		
	BTS 75V/P - Standard	BTS 75V/PF - 3-Hr Rated Steel, 20-Min Rated Wood
<b>Components</b>		
1. Slide Arm Assembly	7451N	7451N
2. Spindle	74003	74003
3. Cover Plate	7510	7510
4. Closer and Cement Case	BTS 75V	BTS 75V NHO
7. Pocket Pivot	75520	75523

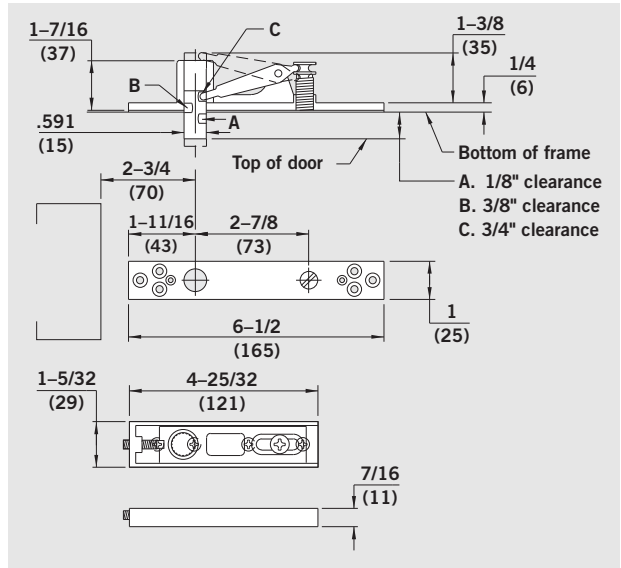
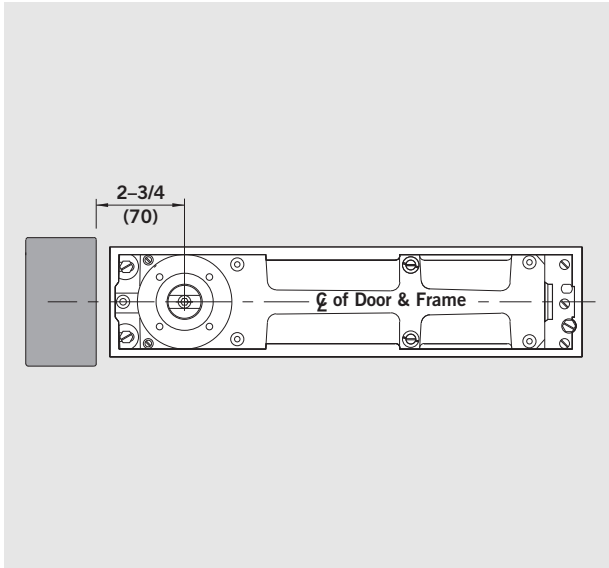
BTS 80 Packages		
	BTS 80/P - Standard	BTS 80/PF - 3-Hr Rated Steel, 20-Min Rated Wood
<b>Components</b>		
1. Slide Arm Assembly	7451N	7451N
2. Spindle	74003	74003
5. Cover Plate	7410	7410
6. Closer and Cement Case	BTS 80	BTS 80F NHO
7. Pocket Pivot	75520	75523

- P packages mortise the track in the bottom of the door.
- PF packages surface apply the track to the face of the door.
- P and PF packages have three pocket pivots for doors up to 7'-6" tall. Taller doors should use an additional pivot for every 30" of door height or fraction thereof.

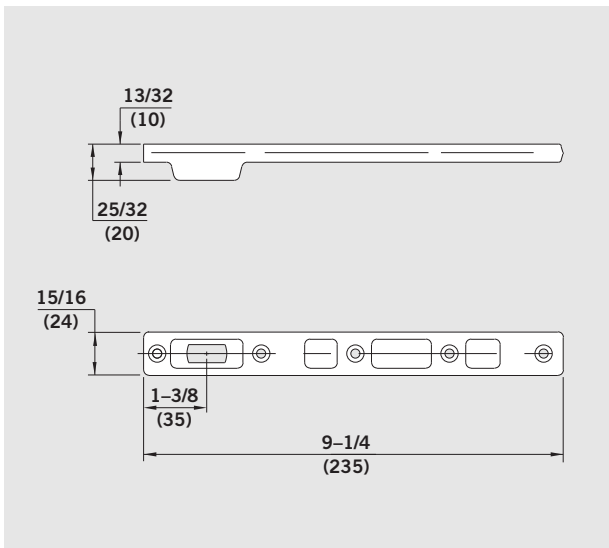
Specify hand for P and PF packages.



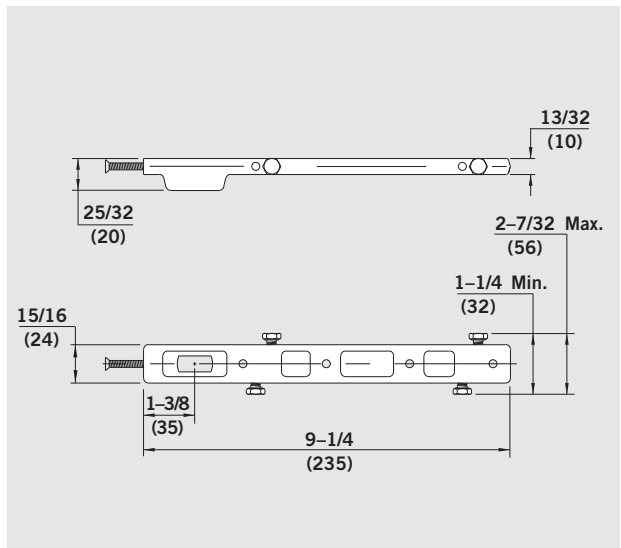
## Accessories for Center Hung Installations



**No. 8062** — Walking beam top pivot with cover plate. Adjustable to obtain top door clearances of 1/8", 3/8" or 3/4". Optional extended pin available for clearances of 3/4", 1" or 1-5/16".

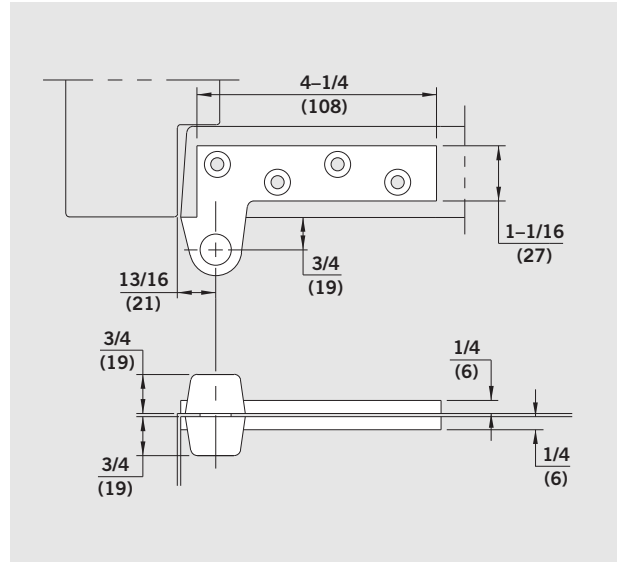
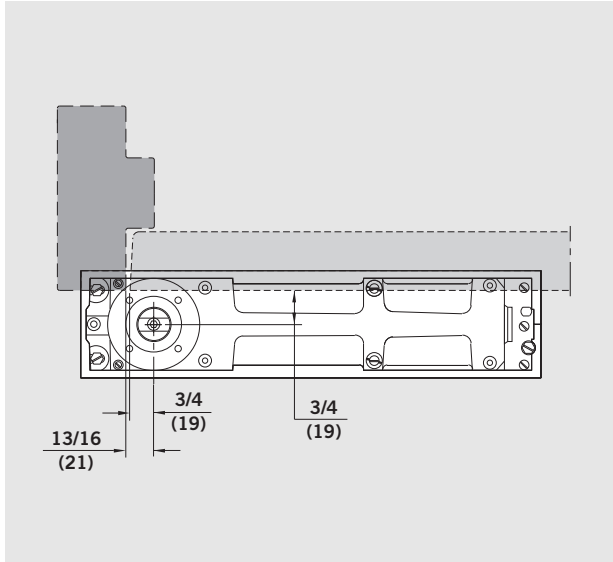


**No. 7421** — Center hung bottom arm for steel or wood doors.

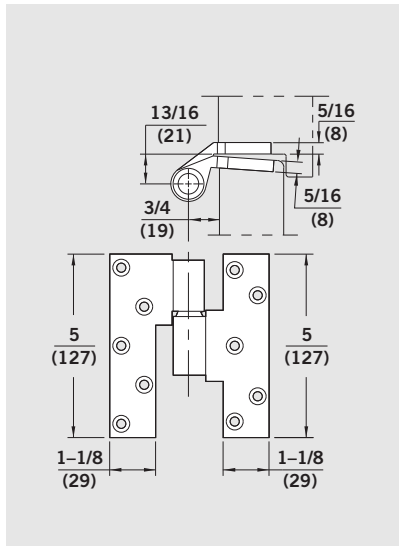


**No. 7422** — Center hung bottom arm for aluminum doors.

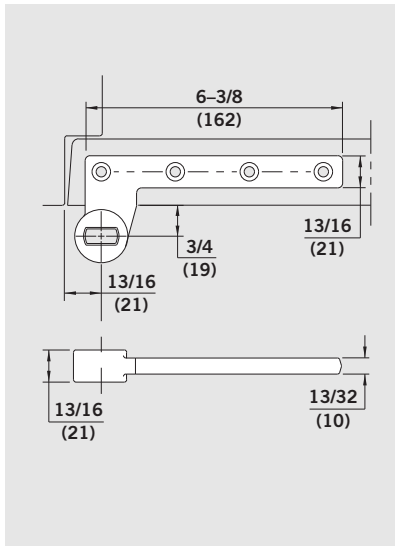
## Accessories for 3/4" Offset Installations



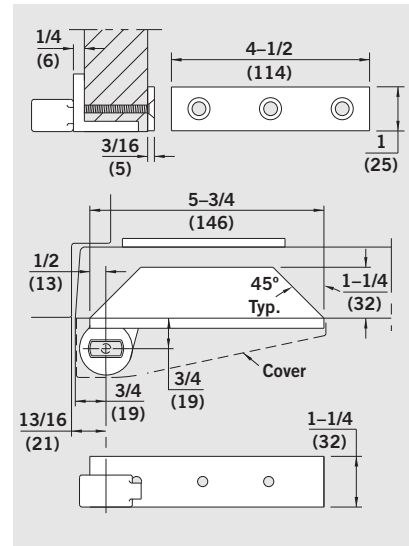
- No. 75120** — 3/4" offset brass top pivot.
- No. 75122** — 3/4" offset brass top pivot.  
U.L. listed for 20-minute rated fire doors.
- No. 75133** — 3/4" offset steel top pivot.  
For use on fire doors rated up to three hours.



- No. 75220** — 3/4" offset standard-duty brass intermediate pivot.
- No. 75222** — 3/4" offset standard-duty brass intermediate pivot. U.L. listed for 20-minute rated fire doors.
- No. 75233** — 3/4" offset heavy-duty steel intermediate pivot. For use on fire doors rated up to three hours.  
**(Specify Hand)**

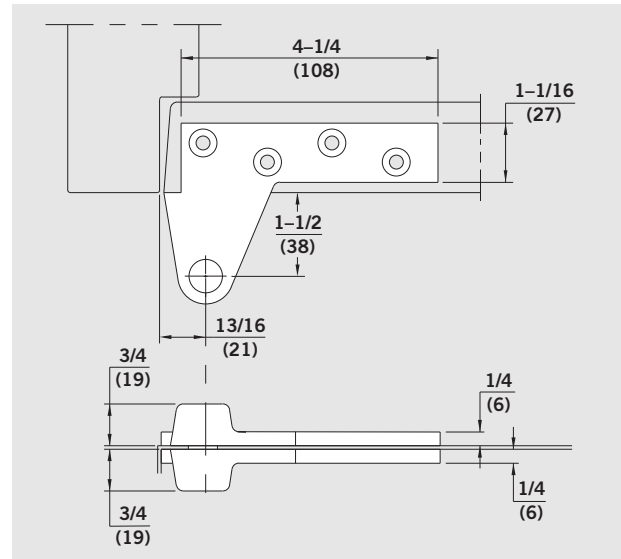
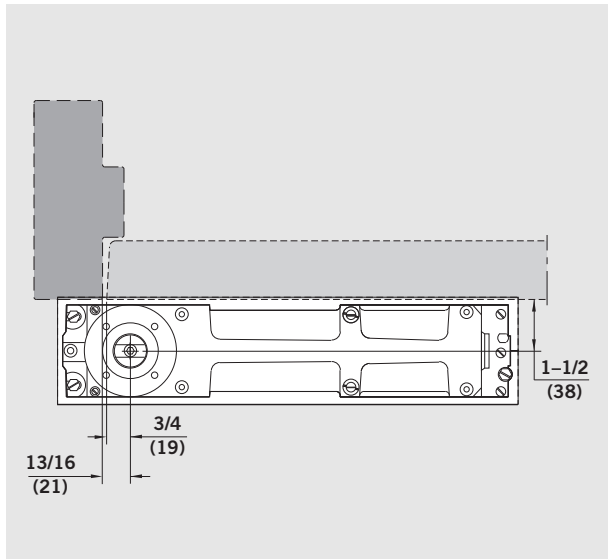


- No. 75323** — 3/4" offset standard-duty steel bottom arm. Can also be used on fire doors rated up to three hours.  
**(Specify Hand)**

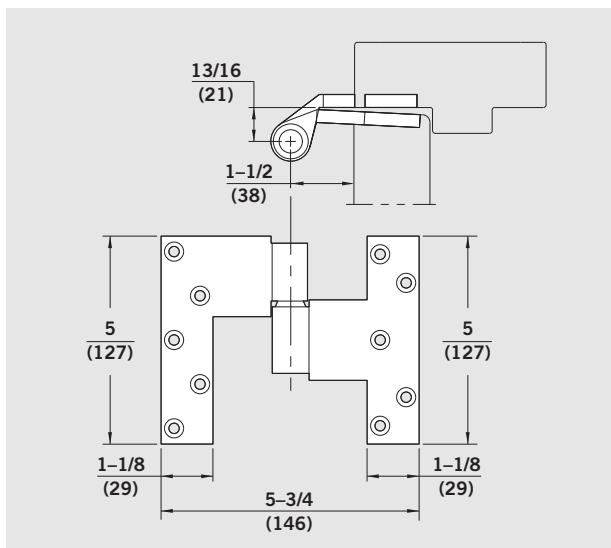


- No. 75353** — 3/4" offset steel bottom arm. Closer is removable without removing door. Intermediate pivots are required when using this arm.  
**(Specify Hand)**

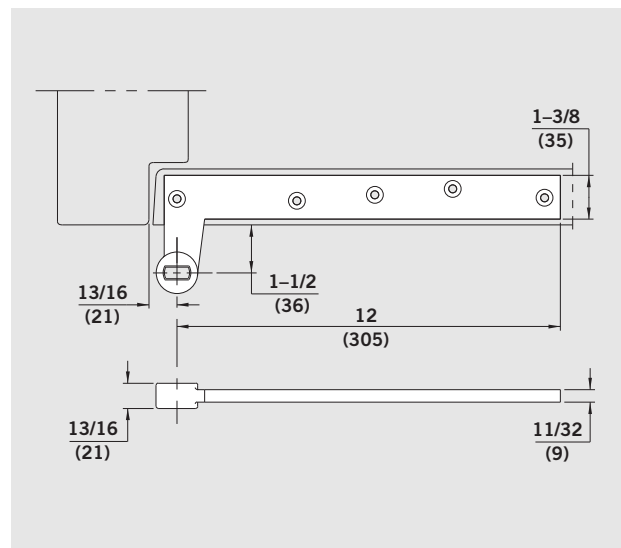
## Accessories for 1-1/2" Offset Installations



**No. 15120** — 1-1/2" offset brass top pivot.

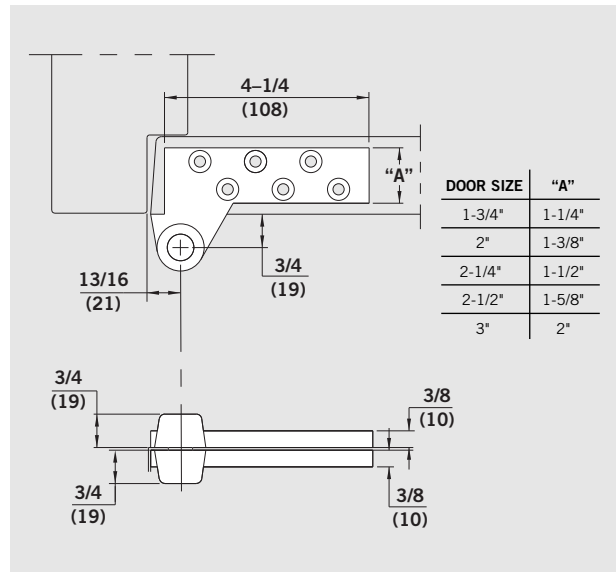
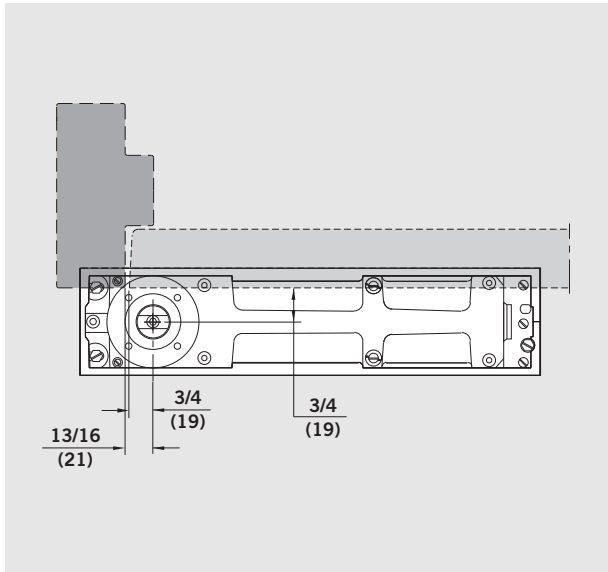


**No. 15220** — 1-1/2" offset brass intermediate pivot.  
(Specify Hand)



**No. 15323** — 1-1/2" offset steel bottom arm.  
(Specify Hand)

## Accessories for 3/4" Offset Lead-Lined Installations



**No. 75140** — 3/4" offset brass top pivot for lead-lined doors 1-3/4" thick.

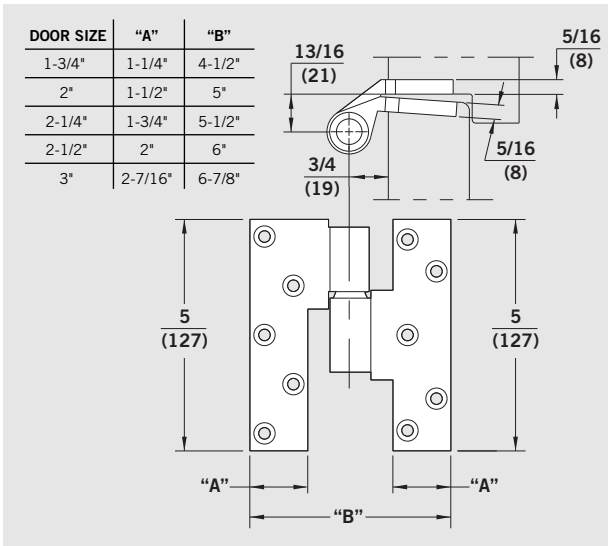
**Note:** For doors 2" to 3" thick specify as follows:

**No. 75140-2** — For use on doors 2" thick.

**No. 75140-2-1/4** — For use on doors 2-1/4" thick.

**No. 75140-2-1/2** — For use on doors 2-1/2" thick.

**No. 75140-3** — For use on doors 3" thick.



**No. 75240** — 3/4" offset brass intermediate pivot for lead-lined doors 1-3/4" thick.

**Note:** For doors 2" to 3" thick specify as follows:

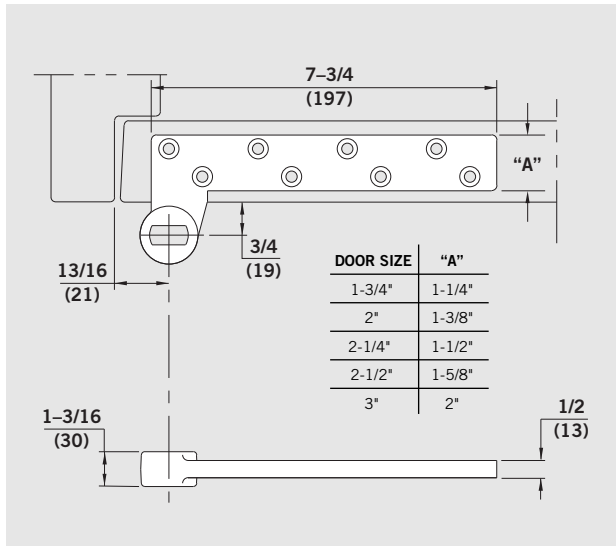
**No. 75240-2** — For use on doors 2" thick.

**No. 75240-2-1/4** — For use on doors 2-1/4" thick.

**No. 75240-2-1/2** — For use on doors 2-1/2" thick.

**No. 75240-3** — For use on doors 3" thick.

(Specify Hand)



**No. 75343** — 3/4" offset steel bottom arm for lead-lined 1-3/4" doors.

**Note:** For doors 2" to 3" thick specify as follows:

**No. 75343-2** — For use on doors 2" thick.

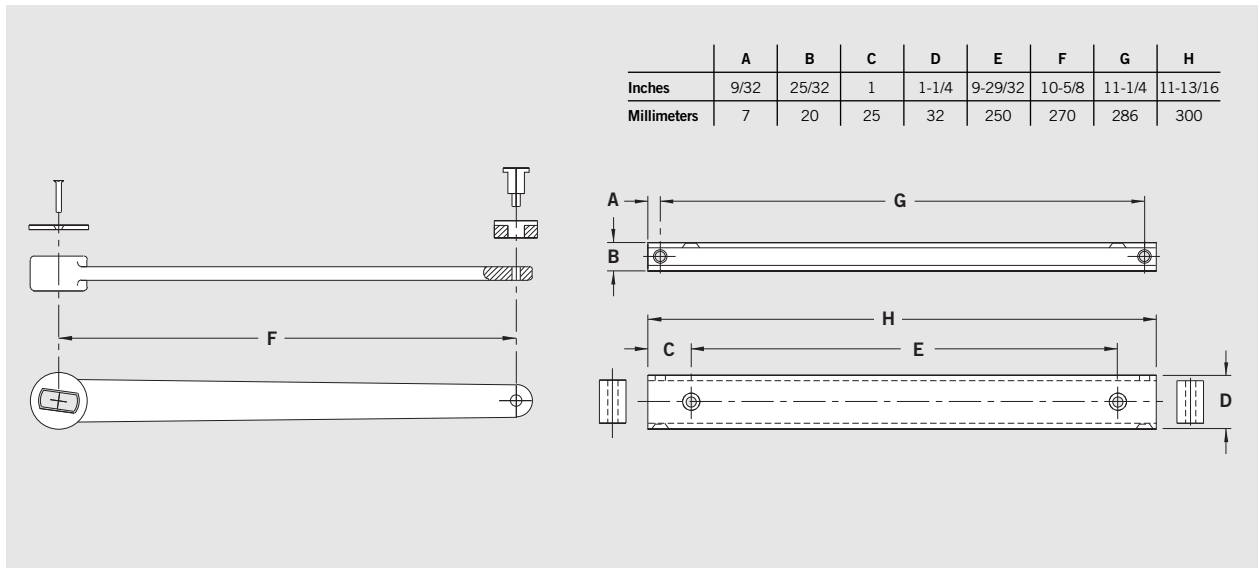
**No. 75343-2-1/4** — For use on doors 2-1/4" thick.

**No. 75343-2-1/2** — For use on doors 2-1/2" thick.

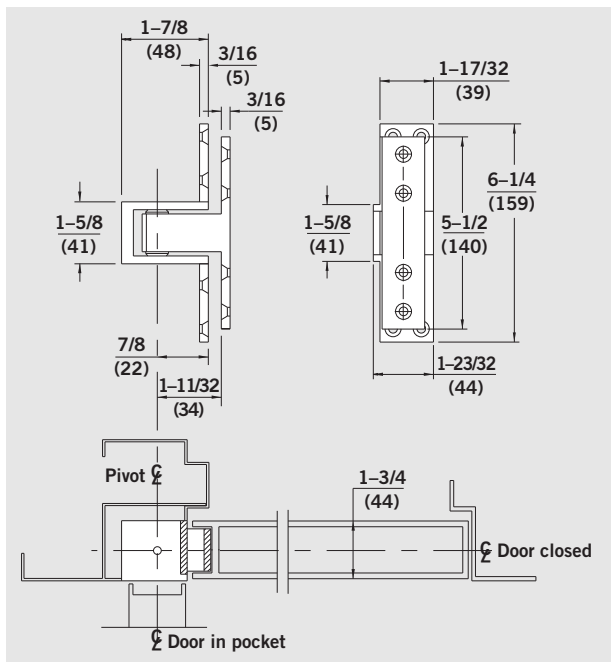
**No. 75343-3** — For use on doors 3" thick.

(Specify Hand)

## Accessories for Independently Hung Installations



**No. 7451N Slide Arm and Channel** — Drop forged steel with nylon slide block, cover washer, and anodized aluminum channel.



**No. 75520** — Brass pocket pivot. For 90° pocket doors.

**No. 75523** — Steel pocket pivot for 90° pocket doors.

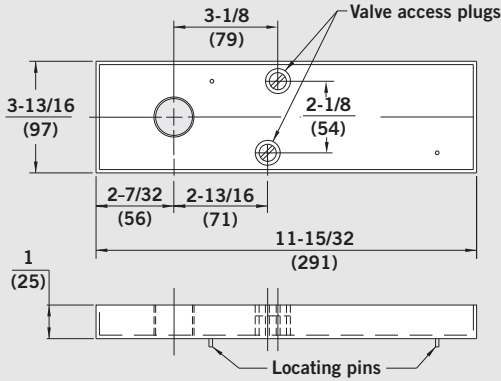
U.L. listed for 20 minute wood doors and 3 hour rated steel fire doors.

**(Specify Hand)**

**Terrazzo Pan**

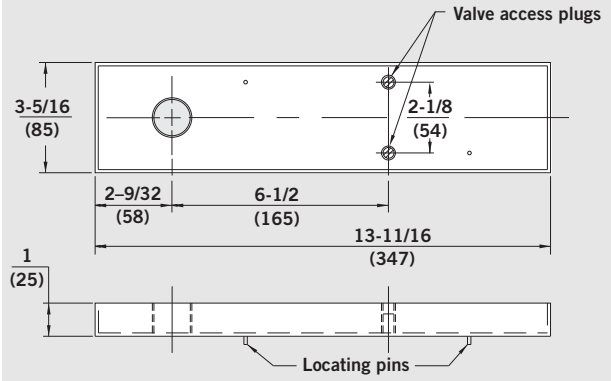
**BTS 75V Series**

- **TP 75V CH** for center hung applications (shown).
- **TP 75V RH** or **LH** for 3/4" offset applications (specify hand).



**BTS 80/BTS 80 EMB Series**

- **TP 80 CH** for center hung applications (shown).
- **TP 80 RH** or **LH** for 3/4" offset applications (specify hand).



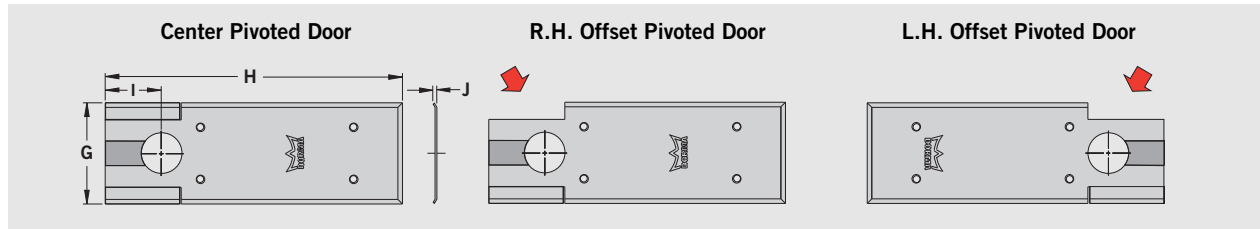
Made from stainless steel and used in lieu of standard floor plate. Offers uninterrupted appearance with terrazzo or marble. Shims are included to allow easy removal of pan after initial installation.

**Note:** When calculating the spindle size to be used with a terrazzo pan application, add 1" to the desired clearance between the door and the finished floor.

**Cover Plate**

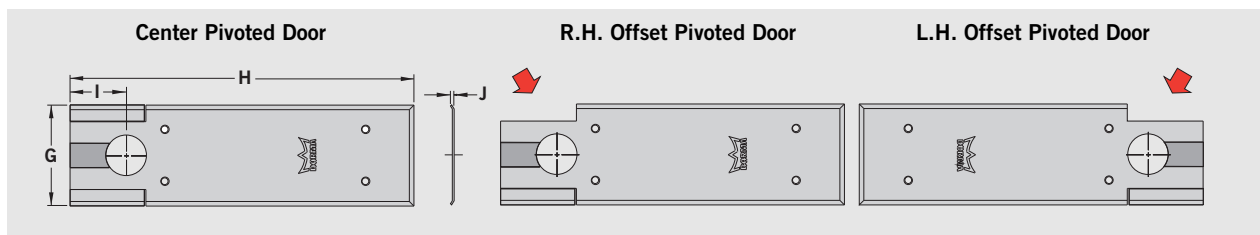
The BTS 75V universal cover plate **7510**, suitable for left hand/right hand, 3/4" offset, 1-1/2" offset, and center pivoted doors.

	G	H	I	J
Inches	4-1/8	12-1/8	2-9/32	3/32
Millimeters	105	308	58	2



The BTS 80 and BTS 80 EMB universal cover plate **7410**, suitable for left hand/right hand, 3/4" offset, 1-1/2" offset, and center pivoted doors.

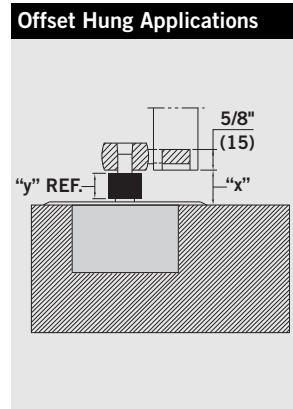
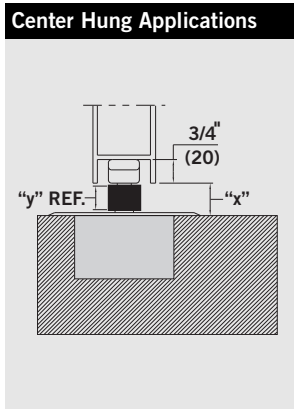
	G	H	I	J
Inches	4-1/8	14-3/32	2-9/32	3/32
Millimeters	105	358	58	2



Spindles			
Spindle No.	Dimension "x" (Door Clearance)	3° Pre-load Spindle No.	Dimension "y"
74003	5/16"	80003	1/8"
74005	1/2"	80005	5/16"
74007	5/8"	-	7/16"
(STD) 74010	3/4"	80010	1/2"
74012	13/16"	-	5/8"
74015	7/8"	80015	11/16"
74020	1-1/8"	80020	7/8"
74025	1-5/16"	80025	1"
74030	1-1/2"	80030	1-5/16"
74035	1-11/16"	-	1-1/2"
74040	1-7/8"	-	1-11/16"
74045	2-1/16"	-	1-7/8"
74050	2-5/16"	-	2-1/16"

**Extended Spindle Insert**  
**NOTE: Closer and arm must be installed per template for door clearances shown to be valid.**

Closers with extended spindle inserts are used with thresholds, carpeted floors, terrazzo pans or in cases where more clearance between door and floor is required. All spindles are zinc plated.



**Pre-load Spindles**  
 Spindles are available with a 3° pre-load for additional pressure to hold door in the closed position. Normally, this is only necessary for center-pivoted single acting applications. However, they can also be used with other applications to compensate for templating errors. Specify hand of pre-load spindle when ordering.



---

**DORMA Americas**

[www.dorma-usa.com](http://www.dorma-usa.com)

**DORMA Architectural Hardware**

DORMA Drive, Drawer AC  
Reamstown, PA 17567-0411  
Telephone: (800) 523-8483  
Facsimile: (800) 274-9724  
E-mail: [archdw@dorma-usa.com](mailto:archdw@dorma-usa.com)

**DORMA Glas**

1520 Jabez Run, Suite 303  
Millersville, MD 21108  
Telephone: (800) 451-0649  
Facsimile: (410) 923-3060  
E-mail: [glas@dorma-usa.com](mailto:glas@dorma-usa.com)

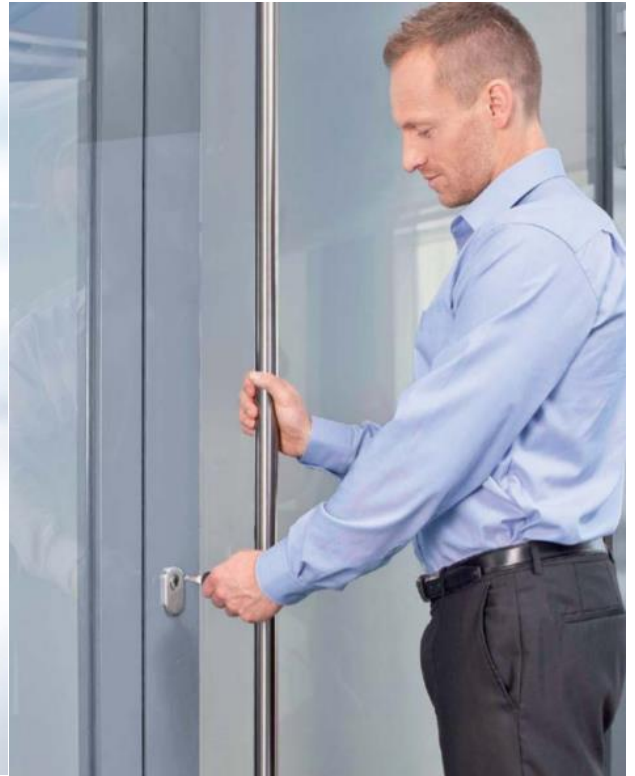
**DORMA Canada**

1680 Courtney Park Drive, Unit 13  
Mississauga, Ontario L5T 1R4  
Telephone: (800) 387-4938  
Facsimile: (905) 670-5850  
E-mail: [sales@dormacanada.com](mailto:sales@dormacanada.com)

**DORMA Mexico, S. de R.L. de C.V.**

Astrónomos 28, Col. Escandón  
México, D.F. 11800  
Del. Miguel Hidalgo  
Telephone: (52+55) 5272-6937  
Facsimile: (52+55) 5272-6948  
E-mail: [operacion@dorma.com.mx](mailto:operacion@dorma.com.mx)



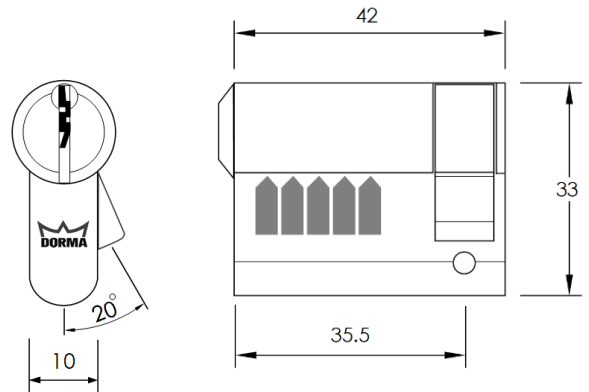


# Euro-Profile Cylinders

Everyday cylinders for  
residential and  
commercial use.

## Euro-Profile Cylinders

### PC41- Half Cylinder



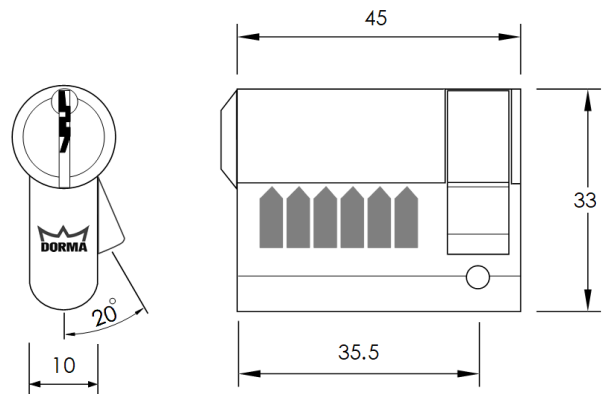
Size : L 42 x H 33 mm.

Finish : NI / PC / SSS / SC

#### Features :

- For all types of doors
- With 5 pins tumblers
- Master key on request available
- Come with 3 keys

### PC45- Half Cylinder



Size : L 45 x H 33 mm.

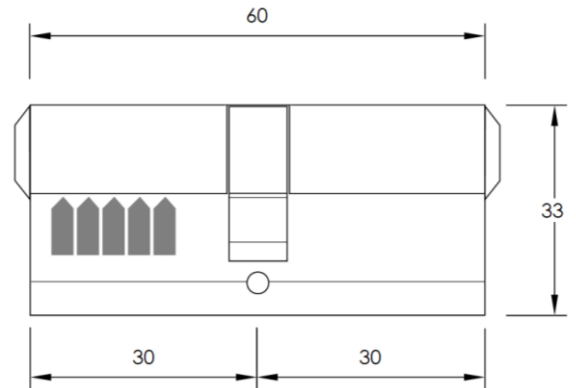
Finish : NI / PC / SSS / SC

#### Features :

- For all types of doors
- With 6 pins tumblers
- Master key on request available
- Come with 3 keys

## Euro-Profile Cylinders

### PC91 - Double Cylinder



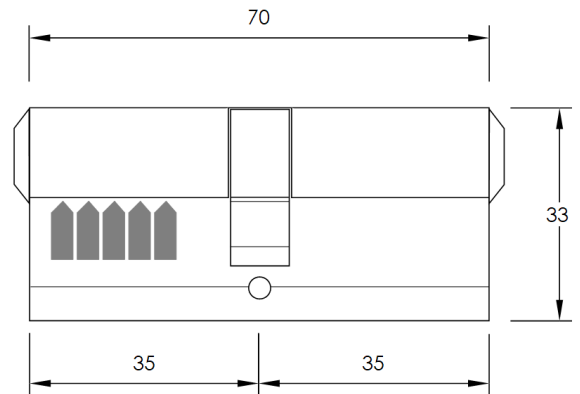
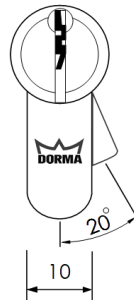
Size : L 60 x H 33 mm.

Finish : NI / PC / SSS / SC

#### Features :

- For all types of doors
- With 5 pins tumblers
- Master key on request available
- Come with 3 keys

### PC92 - Double Cylinder



Size : L 70 x H 33 mm.

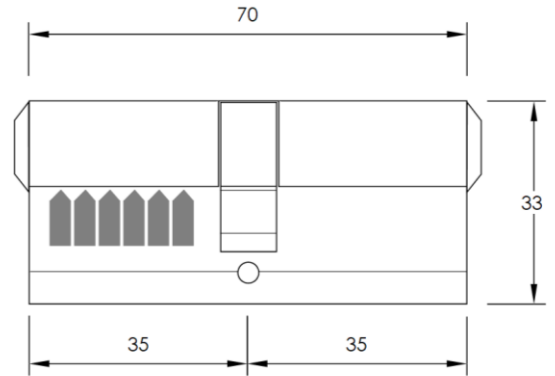
Finish : NI / PC / SSS / SC

#### Features :

- For all types of doors
- With 5 pins tumblers
- Master key on request available
- Come with 3 keys

## Euro-Profile Cylinders

### PC82- Double Cylinder



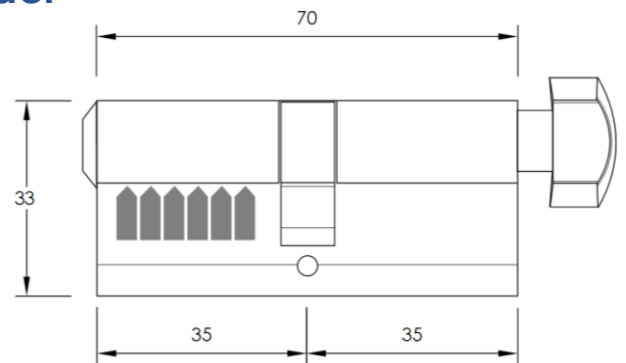
Size : L 70 x H 33 mm.

Finish : NI / PC / SSS / SC

#### Features :

- For all types of doors
- With 6 pins tumblers
- Master key on request available
- Come with 3 keys

### PC83 – Peanut Shape Thumb turn Cylinder



Size : L 70 x H 33 mm.

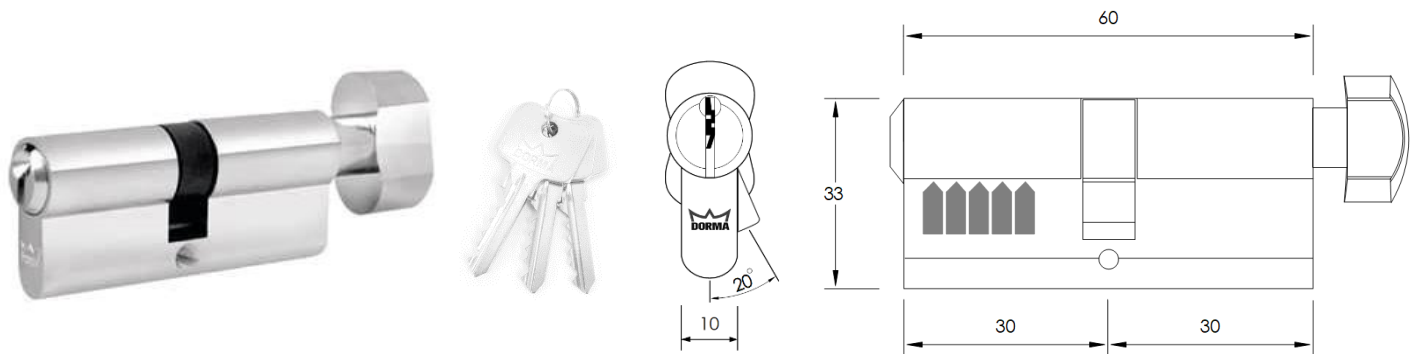
Finish : NI / PC / SSS / SC

#### Features :

- For all types of doors
- With 6 pins tumblers
- Master key on request available
- Come with 3 keys

## Euro-Profile Cylinders

### PC93 – Peanut Shape Thumb turn Cylinder (60 mm)



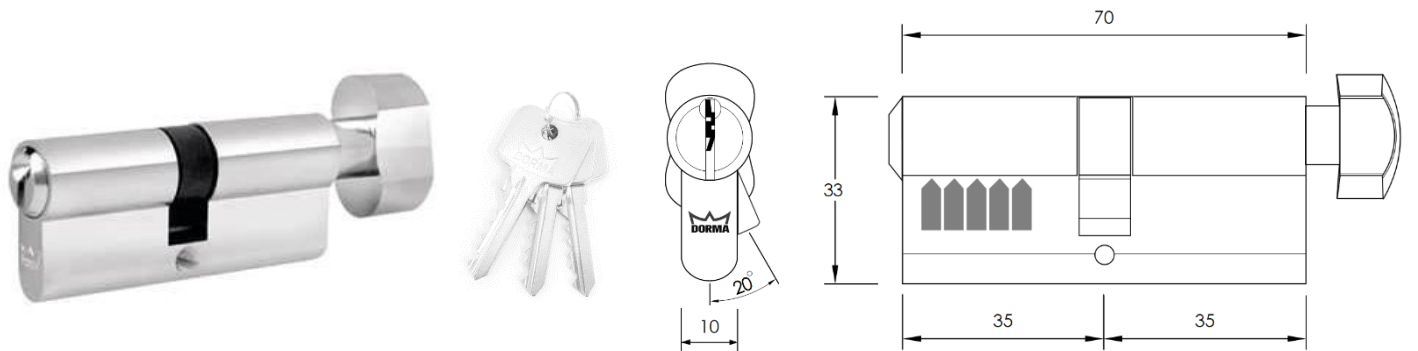
Size : L 60 x H 33 mm.

Finish : NI / PC / SSS / SC

#### Features :

- For all types of doors
- With 5 pins tumblers
- Master key on request available
- Come with 3 keys

### PC93 – Peanut Shape Thumb turn Cylinder (70 mm)



Size : L 70 x H 33 mm.

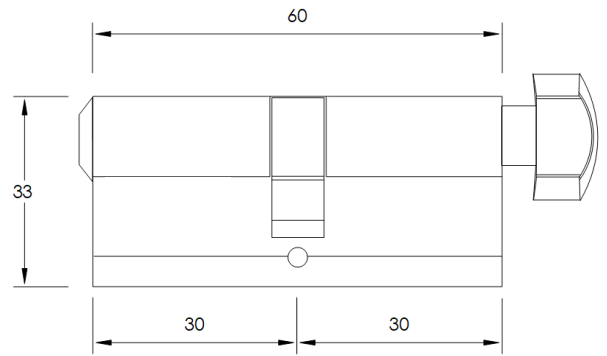
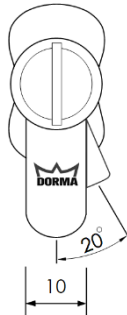
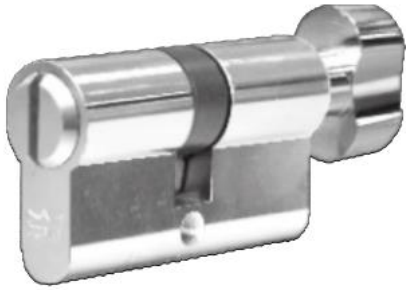
Finish : NI / PC / SSS / SC

#### Features :

- For all types of doors
- With 5 pins tumblers
- Master key on request available
- Come with 3 keys

## Euro-Profile Cylinders

### PC93/WC – Peanut Shape Thumb turn Cylinder (60 mm)



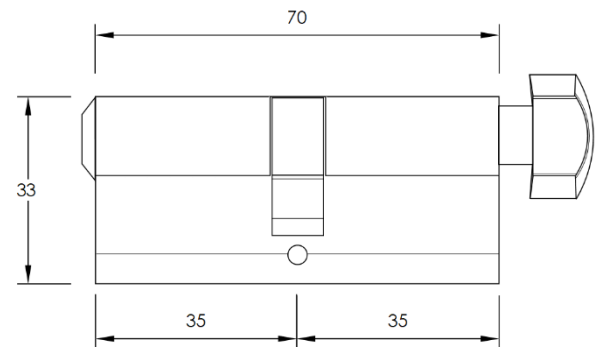
Size : L 60 x H 33 mm.

Finish : NI / PC / SSS / SC

#### Features :

- For all types of doors
- Recommend for restroom

### PC93/WC – Peanut Shape Thumb turn Cylinder (70 mm)



Size : L 70 x H 33 mm.

Finish : NI / PC / SSS / SC

#### Features :

- For all types of doors
- Recommend for restroom

# Hinges

## Butt Hinges



Series	Recommend Withstand load	Number of Ball Bearing	Size			Finish	Recommend Min. door thickness
			Height <mm>	Width <mm>	Thickness <mm>		
4" x 3" x 2.5 mm. 2BB *	<b>60 kg</b> (3 hinges) <b>70 kg</b> (4 hinges)	2	102	76	2.5	SSS Black Matt	35 mm.
4" x 3" x 3 mm. 2BB *	<b>70 kg</b> (3 hinges) <b>80 kg</b> (4 hinges)	2	102	76	3	PSS SSS Black Matt	35 mm.
4" x 3.5" x 3 mm. 2BB	<b>75 kg</b> (3 hinges) <b>85 kg</b> (4 hinges)	2	102	89	3	SSS	40 mm.
5" x 3.5" x 3 mm. 2BB	<b>85 kg</b> (3 hinges) <b>100 kg</b> (4 hinges)	2	127	89	3	SSS	40 mm.
4" x 4" x 3 mm. 2BB *	<b>80 kg</b> (3 hinges) <b>90 kg</b> (4 hinges)	2	102	102	3	PSS SSS Black Matt	45 mm.
4.5" x 4" x 3 mm. 2BB	<b>85 kg</b> (3 hinges) <b>100 kg</b> (4 hinges)	2	114	102	3	SSS	45 mm.
4.5" x 4" x 3.4 mm. 2BB	<b>90 kg</b> (3 hinges) <b>105 kg</b> (4 hinges)	2	114	102	3.4	SSS	45 mm.
5" x 4" x 3 mm. 4BB *	<b>100 kg</b> (3 hinges) <b>120 kg</b> (4 hinges)	4	127	102	3	PSS SSS	45 mm.

\* General Recommended Series

# Hinges

---

## Flush Hinge



**Size** : L 1,000 x W 70 x D 2.5 mm.

---

**Material** : Stainless steel (SS304)

---

**Finish** : SSS

---

**Data & Features** :

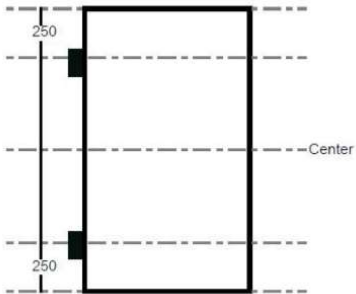
- For wooden and aluminum frame door.
  - Recommended for shaft room door.
  - 2 Ball bearings hinge.
  - Suitable for DIN left and DIN right.
  - Maximum door weight 45 Kg. (3 hinges)
-



# Hinges

## Hinge position recommendation

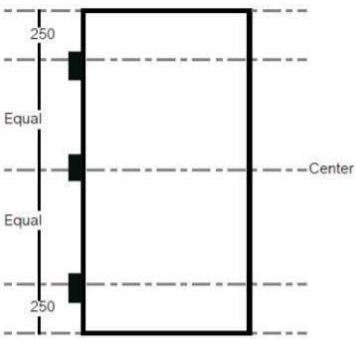
### Type A : 2 Hinges



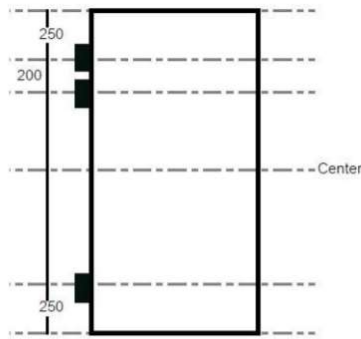
**A**

**A** - Doors up to 1,250 mm. height

### Type B : 3 Hinges



**B1**

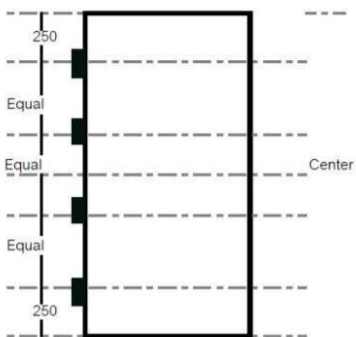


**B2**

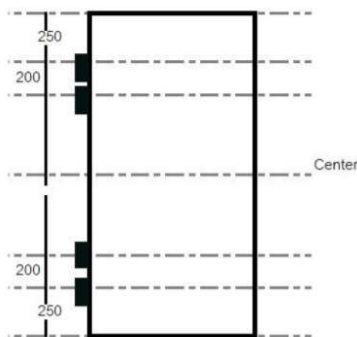
**B1** - Doors up to 2,100 mm. height

**B2** - Doors up to 2,100 mm. height  
(Recommended when door closing advice is fixed on the door)

### Type C : 4 Hinges



**C1**



**C2**

**C1** - Doors up to 2,100-3,000 mm. height

**C2** - Doors up to 2,100-3,000 mm. height  
(Recommended when door closing advice is fixed on the door)



# International Design Handles

# Architecturally Designed and Finely Craft

Manufactured from the highest quality materials and finished with care, the proven designs of dormakaba International Design Handles offer excellent functional reliability combined with great strength. These handles satisfy the ever-increasing demand for dependable-

functionality and aesthetically-pleasing designs in today's modern interiors. dormakaba International Design Handles are able to meet any design requirement with each model offering unsurpassed quality.

## Arcos Design Handles



Standard lengths	=	350/750 mm c/c
Handle projection	=	63/86 mm
X-section	=	40 mm wide triangular
Material	=	316 stainless steel
Finish	=	sss, pss, ev1 deco
Glass thickness	=	10/12/13.5 to 40 mm
Glass hole diameter	=	16 mm

## Beyond Design Handles



Standard lengths	=	450/600/900 mm c/c
Handle projection	=	73 mm
X-section	=	35 mm wide
Material	=	aluminum anodised
Finish	=	ev1 deco / sim to sss
Glass thickness	=	10/12/13.5 to 40 mm
Glass hole diameter	=	22 mm

## Square Design Handles



Standard lengths	=	350/500 mm c/c
Handle projection	=	50 mm
X-section	=	20/30 mm square
Material	=	aluminum
Finish	=	ev1 deco, sim to sss & pol chrome
Glass thickness	=	6 to 10 mm
Glass hole diameter	=	12 mm

## Alu Design Handles



Standard lengths	=	350/750 mm
Handle projection	=	70 mm
X-section	=	25 mm
Material	=	aluminum
Finish	=	sss, pss ev1 deco
Glass thickness	=	10/12/13.5 to 40 mm
Glass hole diameter	=	22 mm

## Manet Design Handles



Standard lengths	= 350/750/1240/1760 mm
Handle projection	= 70 mm
X-section	= 25 mm
Material	= 316 stainless steel
Finish	= satin stainless steel
Glass thickness	= 10/12/13.5 to 40 mm
Glass hole diameter	= 22 mm



## Recessed Pull Grip



Diameter	= 50 mm
Material	= 304 stainless steel
Finish	= satin stainless steel
Glass thickness	= 8/10/12 mm
Glass hole diameter	= 38 mm

## Recessed Pull Grip



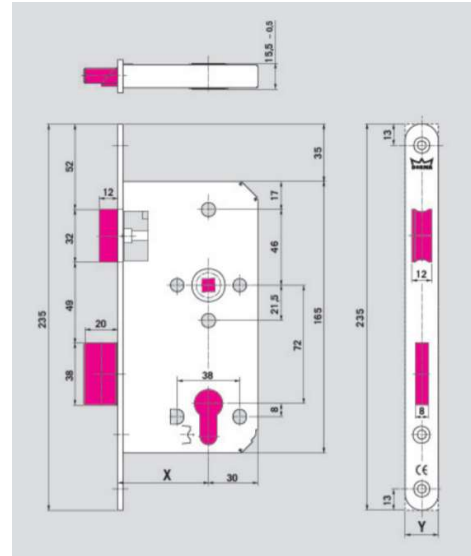
Diameter	= 60 mm
Material	= 304 stainless steel
Finish	= satin stainless steel
Glass thickness	= 8/10/12 mm
Glass hole diameter	= 50 mm

# Mortice

## Mortice Lock : 281a (Sash lock)



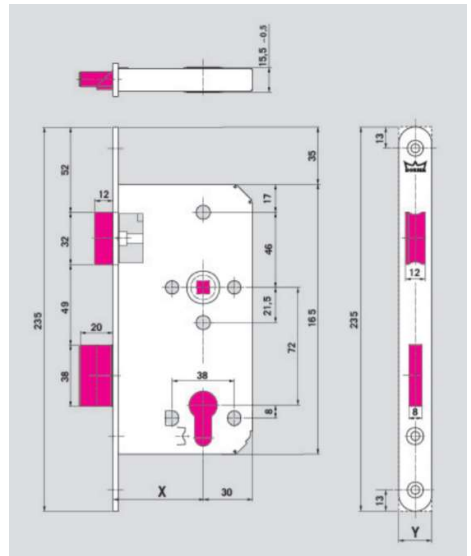
- Back set : 55 mm.
- Square Forend : L 235 x 24 mm.
- Finish : Satin Stainless Steel (SS304)
- Standard Certified : Grade 2 EN 12209 (200,000 cycles tested)
- Non-handed : Yes
- Certificate approved for fire door : Yes (CE Certificate – 4hrs. fire rated)



## Mortice Lock : 271a (Single throw 15mm.)



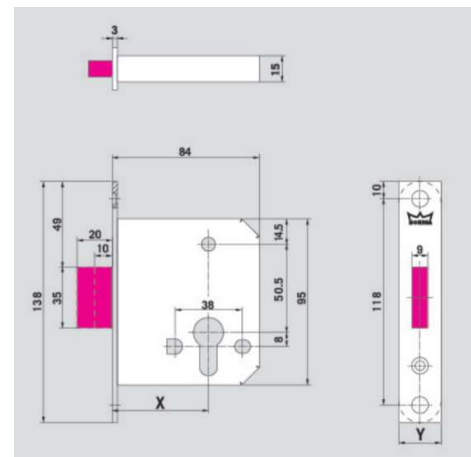
- Back set : 55 mm.
- Square Forend : L 235 x 24 mm.
- Finish : Satin Stainless Steel (SS304)
- Standard Certified : Grade 2 EN 12209 (200,000 cycles tested)
- Non-handed : Yes
- Certificate approved for fire door : -



## Mortice Lock : 208a (Small dead lock)

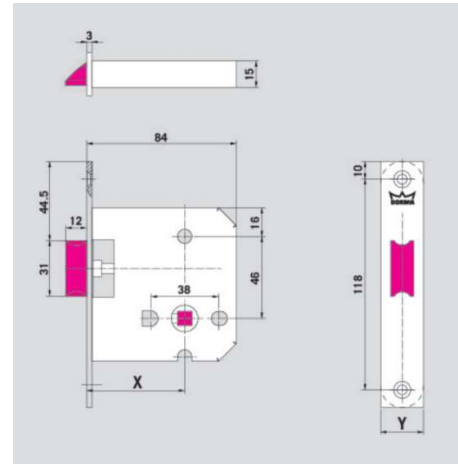


- Back set : 55 mm.
- Square Forend : L 138 x 24 mm.
- Finish : Satin Stainless Steel (SS304)
- Standard Certified : Grade 2 EN 12209 (200,000 cycles tested)
- Certificate approved for fire door : -



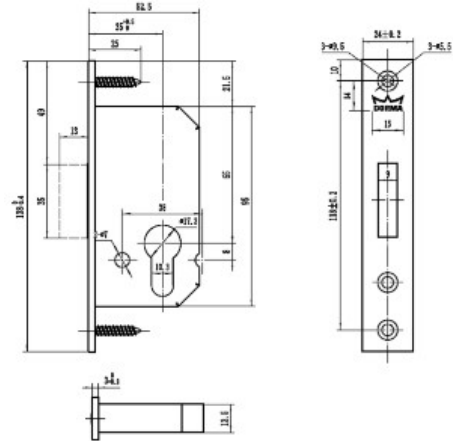
# Mortice

## Mortice Lock : 209a (Small latch lock)



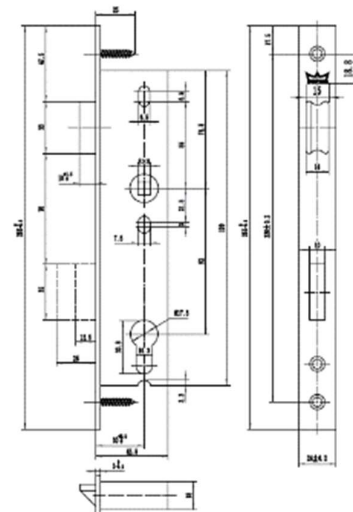
- Back set : 55 mm.
- Square Forend : L 138 x 24 mm.
- Finish : Satin Stainless Steel (SS304)
- Standard Certified : Grade 2 EN 12209 (200,000 cycles tested)
- Certificate approved for fire door : -

## Mortice Lock : A35ZD (Narrow-Stile dead lock)



- Back set : 35 mm.
- Square Forend : L 138 x 24 mm.
- Finish : Satin Stainless Steel (SS304)
- Standard Certified : Grade 2 EN 12209 (200,000 cycles tested)
- Certificate approved for fire door : -

## Mortice Lock : 352a (Narrow-Stile sash lock)



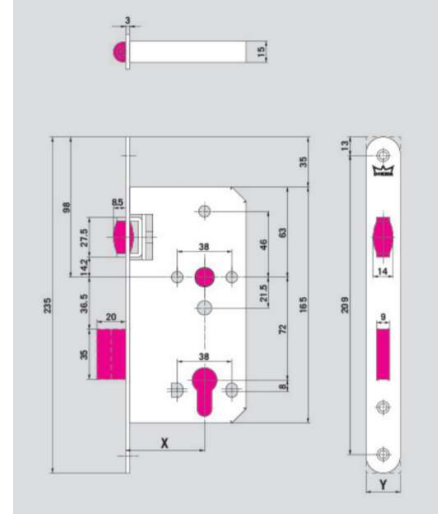
- Back set : 30 mm.
- Square Forend : L 255 x 24 mm.
- Finish : Satin Stainless Steel (SS304)
- Standard Certified : Grade 2 EN 12209 (200,000 cycles tested)
- Non-handed : Yes
- Certificate approved for fire door : -

# Mortice

## Mortice Lock : 232a (Roller latch)



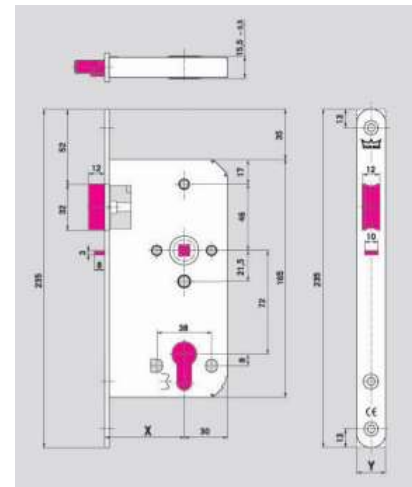
- Back set : 55 mm.
- Square Forend : L 235 x 24 mm.
- Finish : Satin Stainless Steel (SS304)
- Standard Certified : Grade 2 EN 12209 (200,000 cycles tested)
- Certificate approved for fire door : -



## Mortice Lock : 393a (Classroom)



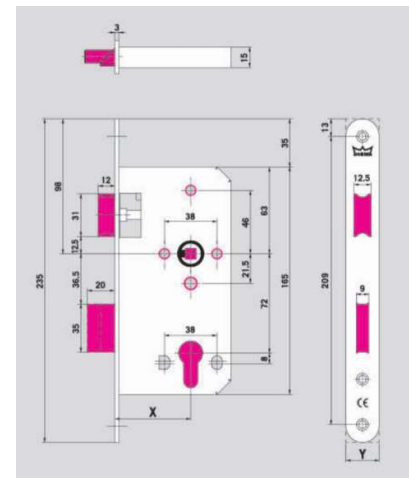
- Back set : 55 mm.
- Square Forend : L 235 x 24 mm.
- Finish : Satin Stainless Steel (SS316)
- Standard Certified : Grade 3 EN 12209 (200,000 cycles tested)
- Non-handed : LH or RH
- Certificate approved for fire door : Yes (CE Certificate – 4hrs. fire rated)



## Mortice Lock : 381a (Sash lock)



- Back set : 55 mm.
- Square Forend : L 235 x 24 mm.
- Finish : Satin Stainless Steel (SS316)
- Standard Certified : Grade 3 EN 12209 (200,000 cycles tested)
- Non-handed : Yes
- Certificate approved for fire door : Yes (CE Certificate – 4hrs. fire rated)

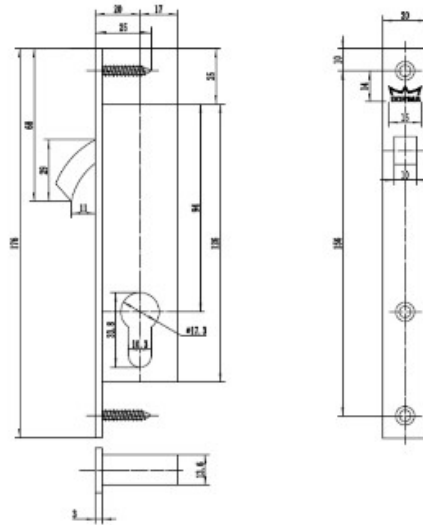


# Mortice

## Mortice Lock : 20HJ (Hook Lock)



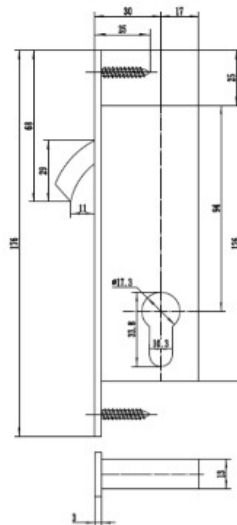
- Back set : 20 mm.
- Square Forend : L 176 x 20 mm.
- Finish : Satin Stainless Steel (SS304)
- Standard Certified : -
- Non-handed : Yes
- Certificate approved for fire door : -



## Mortice Lock : 30HJ (Hook Lock)



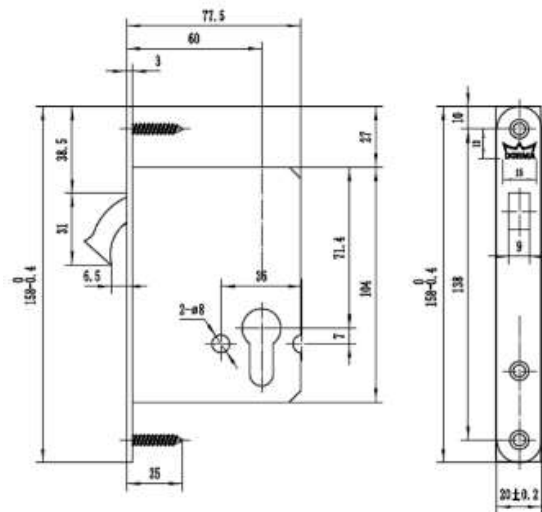
- Back set : 30 mm.
- Square Forend : L 176 x 20 mm.
- Finish : Satin Stainless Steel (SS304)
- Standard Certified : -
- Non-handed : Yes
- Certificate approved for fire door : -



## Mortice Lock : 60HJ (Hook Lock)



- Back set : 60 mm.
- Square Forend : L 158 x 20 mm.
- Finish : Satin Stainless Steel (SS304)
- Standard Certified : -
- Non-handed : Yes
- Certificate approved for fire door : -







# Pure

## Pure – Lever handle sets for standard applications on timber and narrow stile doors

Sophisticated design and functional quality are the characteristics of the Pure range. The fittings excel in terms of both their technology and operating reliability.

Manufactured from high-grade materials and carefully crafted, Pure door furniture satisfies exacting demands with respect to stability, safety and corrosion resistance. The Pure range includes the most popular models, all of which are right or left sprung in order to return the lever handle to the horizontal position.

Lever handle furniture from the Pure range offers high quality at an attractive price. The hardware comes as complete sets for timber doors or as half sets for narrow stile doors. The Pure range is suitable for standard national and international applications, e.g. in the private homes segment or on interior doors in office buildings.

**5**  
YEARS WARRANTY  
ON ALL PRODUCTS  
FEATURING PURE  
TECHNOLOGY\*\*

### Benefits at a glance

#### For the trade

- 5 years warranty on all products in the Pure series\*\*
- Affordable door furniture featuring the most popular lever handle models
- Packaging of complete sets for easy stocking

#### For the installer

- Approved to EN 1906, category of use grade 3 and maximum corrosion resistance grade 4
- Just one screw length for door thicknesses of 38–56 mm
- All models are spring assisted
- dormakaba quality for long service life

## Materials and finishes

### Stainless steel fittings, S/S

Door furniture manufactured from stainless steel offers the advantages of not only high corrosion resistance but also exemplary resistance to mechanical wear and tear.

Available in  
satin

Pure data and features		Furniture sets for	
		Timber doors	Narrow stile doors
Spring assisted		●	●
Securely bushed		●	●
category of use	EN 1906	3	3
Approved for doors on escape routes	EN 179:2008	–	–
Tested to	EN 1634-1*	●	●
Approved for fire- and smoke check doors	DIN 18273	–	–
5 years warranty**		●	●
Steel mountings		●	●
Steel mountings with support lugs		●	–
Door thicknesses in mm		38 – 56	
Same screw length for full thickness range		●	
Back-to-back fixing		●	–
Square section spindle for lever handle		8 mm	8 mm
Lock type preparation	PZ (Europrofile cylinder)	●	●
	BB (warded lever)	●	–
	UN (Latchplate)	●	●
Sets	Standard sets	●	●
	Entrance sets	●	●
	WC sets	●	–
Material	Stainless steel, satin	●	●
	Aluminium F1 silver anodised	●	●

● yes ○ optional – no

\* When used with fire and smoke check doors, additional national regulations must be satisfied (where applicable).

\*\* Subject to our current conditions of warranty and guarantee available at [www.dorma.com](http://www.dorma.com). Copies will also be sent out on request.

### Anodised aluminium fittings, AL

Colour anodised on the basis on special formulations, Pure aluminium fittings exhibit high resistance, uniform oxide layers for effective protection against weathering and wear.

Available in  
F1 silver anodised

## Classification code to DIN EN 1906 for the dormakaba Pure range

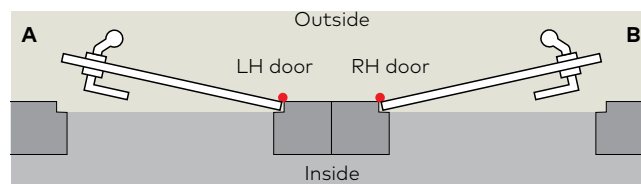
3	7	-	B	1	4	O	A
<p><b>Category of use</b>  <b>Grade 1:</b> Medium frequency of use by people with a high incentive to exercise care and with a small chance of misuse, e.g. internal residential doors.  <b>Grade 2:</b> Medium frequency of use by people with some incentive to exercise care but where there is some chance of misuse, e.g. internal office doors.</p> <p><b>Grade 3: High frequency of use by public or others with little incentive to exercise care and with a high chance of misuse, e.g. public office doors.</b></p> <p><b>Grade 4:</b> High frequency of use on doors which are subject to frequent violent usage, e.g. football stadiums, offshore installations (oil rigs), barracks, public toilets, etc.</p>						<p><b>Type of operation</b>  <b>A = spring assisted furniture</b>                      B = spring loaded furniture                      U = unsprung furniture</p>	
<p><b>Durability</b>  <b>Grade 6:</b> medium frequency of use 100,000 cycles  <b>Grade 7: high frequency of use 200,000 cycles</b></p>						<p><b>Security</b>  <b>0 = no performance determined*</b>                      1 = mild burglary resistance                      2 = moderate burglary resistance                      3 = high burglary resistance                      4 = extra high burglary resistance</p>	
<p><b>Door mass</b>                      No classification</p>						<p><b>Corrosion resistance</b>                      0 = no performance determined                      1 = mild resistance                      2 = moderate resistance                      3 = high resistance  <b>4 = very high resistance</b>                      5 = extremely high resistance</p>	
<p><b>Fire resistance</b>  <b>Grade 0:</b> no performance determined  <b>Grade A:</b> for use on smoke-control doors  <b>Grade A1:</b> for use on smoke-control doors, tested with 200 000 cycles on a test door  <b>Grade B: for use on smoke-control and fire-resistant doors</b>  <b>Grade B1:</b> for use on smoke-control and fire-resistant doors, tested with 200 000 cycles on a test door  <b>Grade C:</b> for use on smoke-control and fire-resistant doors with requirements for fire protection inlays in backplate, rose and escutcheon  <b>Grade C1:</b> for use on smoke-control and fire-resistant doors with requirements for fire protection inlays in backplate, rose and escutcheon, tested with 200 000 cycles on a test door  <b>Grade D:</b> for use on smoke-control and fire-resistant doors with requirements for special core in the handle/knob  <b>Grade D1:</b> for use on smoke-control and fire-resistant doors with requirements for special core in the handle/knob, tested with 200 000 cycles on a test door</p>						<p><b>Safety</b>                      0 = normal use  <b>1 = safety applications</b></p>	

\*For anti-tamper door furniture, see our SI range

## Handing data for entrance door sets

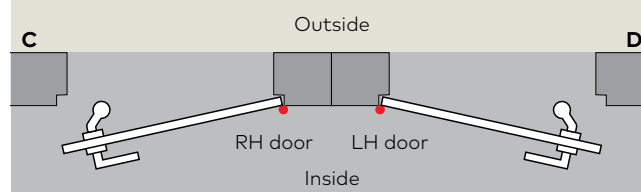
### Lever handle/knob combination set, RH

Inside:  
 Lever handle points to the right  
 Outside:  
 Knob points to the left



### Lever handle/knob combination set, LH

Inside:  
 Lever handle points to the left  
 Outside:  
 Knob points to the right



### Lever handle/knob combination set, RH

Inside:  
 Lever handle points to the right  
 Outside:  
 Knob points to the left

### Lever handle/knob combination set, LH

Inside:  
 Lever handle points to the left  
 Outside:  
 Knob points to the right

## Pure lever handle range for timber doors



Pure 8100



Pure 8906



Pure 8998



Pure 3020



## Pure lever handle range for narrow stile doors



Pure 8100



Pure 8100V



Pure 8906



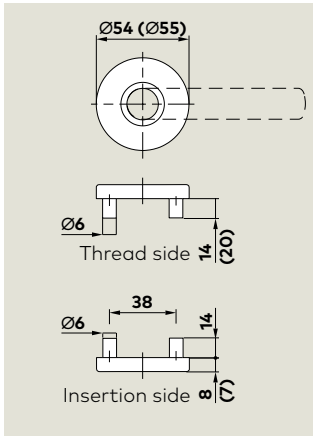
Pure 3548V



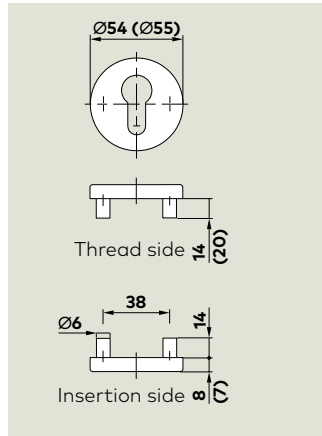
- Stainless steel
- Aluminium

# Rose and backplate dimensions

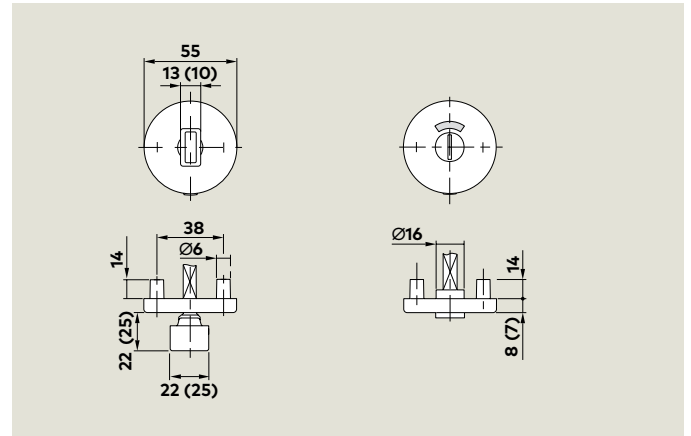
## Round rose dimensions



6501

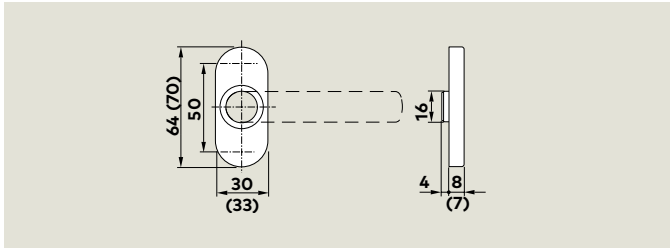


6612

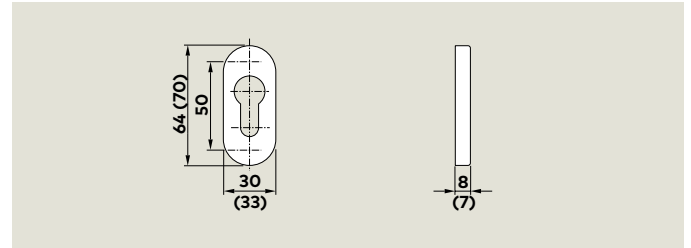


7122

## Oval rose dimensions

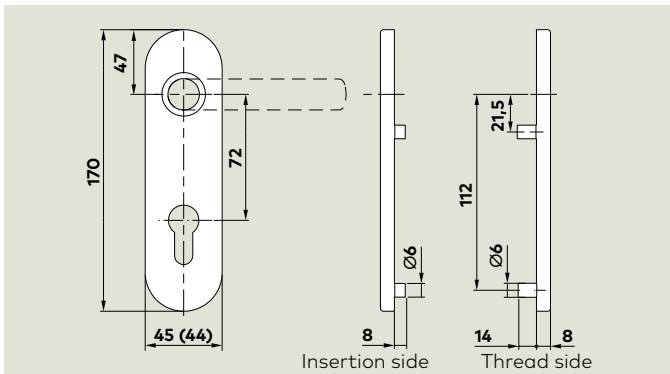


6621

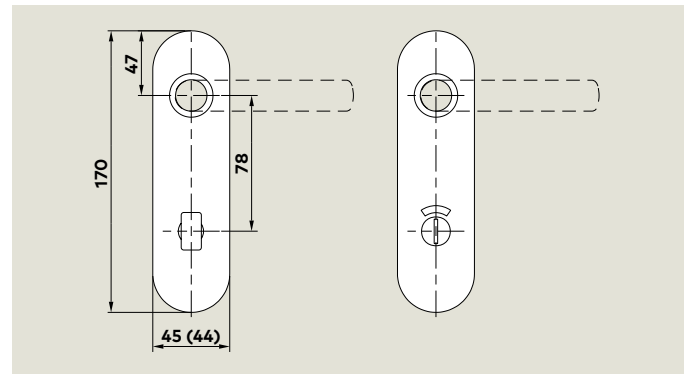


6679

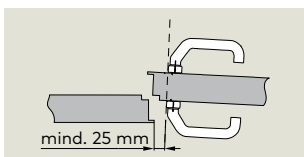
## Backplate dimensions



7051 K



7051 K WC



### Please note:

A minimum clearance of 25 mm must be maintained between the lever handle and the frame stop.

### For timber doors:

Supplied exclusively as complete set incl. fixing material.

### For narrow stile doors:

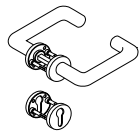
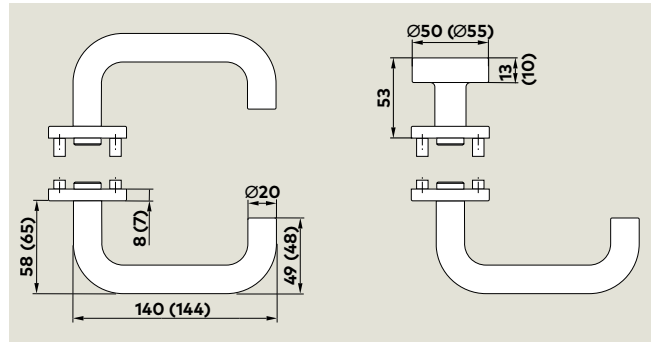
Supplied exclusively as half set with loose spindle.

Other lock preparations and follower-to-keyway centres on application.

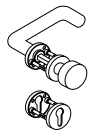
( ) = Dimensions for Alu

## Pure door furniture for timber doors

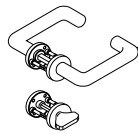
### Pure 8100



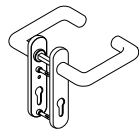
Pure 8100/  
6501/6612



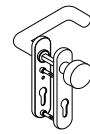
Pure 8100/  
6501/3020/6612



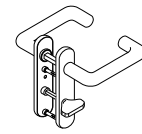
Pure 8100/  
6501/7122



Pure 8100/  
7051 K

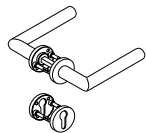
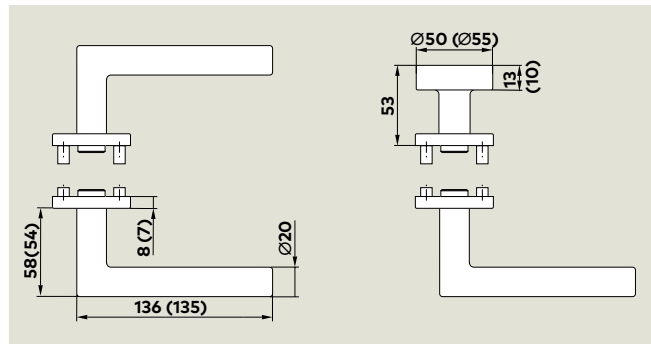
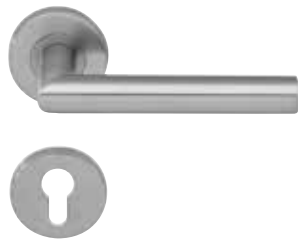


Pure 8100/  
7051 K/3020

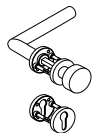


Pure 8100/  
7051 K WC

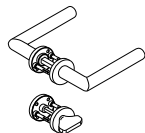
### Pure 8906



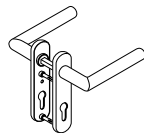
Pure 8906/  
6501/6612



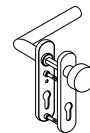
Pure 8906/  
6501/3020/6612



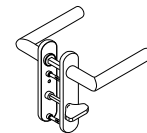
Pure 8906/  
6501/7122



Pure 8906/  
7051 K

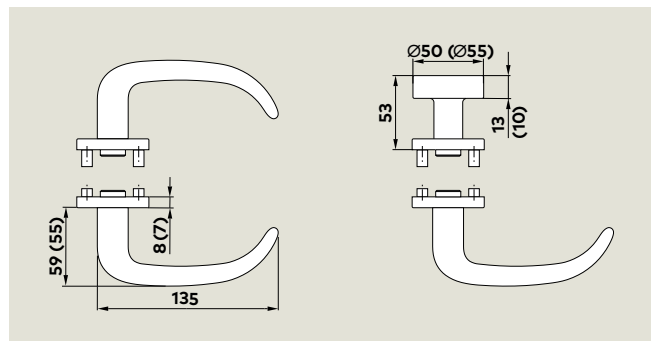


Pure 8906/  
7051 K/3020

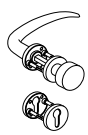


Pure 8906/  
7051 K WC

### Pure 8998



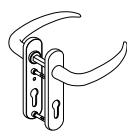
Pure 8998/  
6501/6612



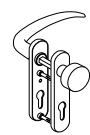
Pure 8998/  
6501/3020/6612



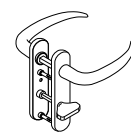
Pure 8998/  
6501/7122



Pure 8998/  
7051 K



Pure 8998/  
7051 K/3020

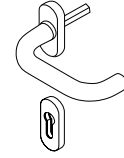
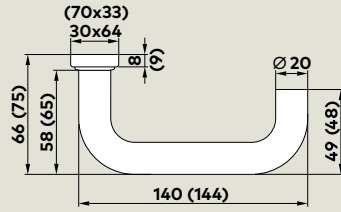


Pure 8998/  
7051 K WC

( ) = Dimensions for Alu

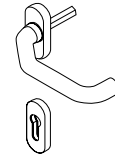
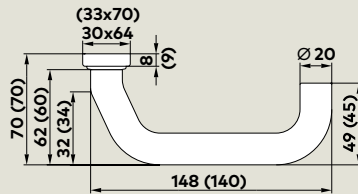
# Pure door furniture for narrow stile doors

**Pure 8100**



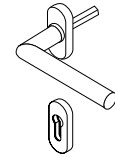
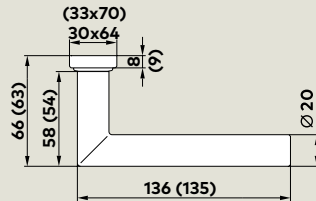
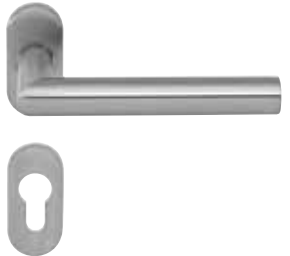
Pure 8100/6621/6679 PZ

**Pure 8100V**



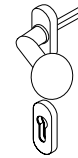
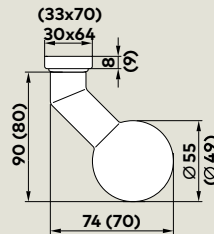
Pure 8100V/6621/6679 PZ

**Pure 8906**



Pure 8906/6621/6679 PZ

**Pure 3548V**



Pure 3548V/6679 PZ

( ) = Dimensions for Alu

- Stainless steel
- Aluminium



[www.dormakaba.com](http://www.dormakaba.com)

dormakaba Deutschland GmbH  
DORMA Platz 1  
58256 ENNEPETAL  
Germany  
T: +49 2333 793-0  
F: +49 2333 793-4950

WN 053 765 51532, 12/16, Pure, GB, x. XXX. xx/14  
Subject to change without notice



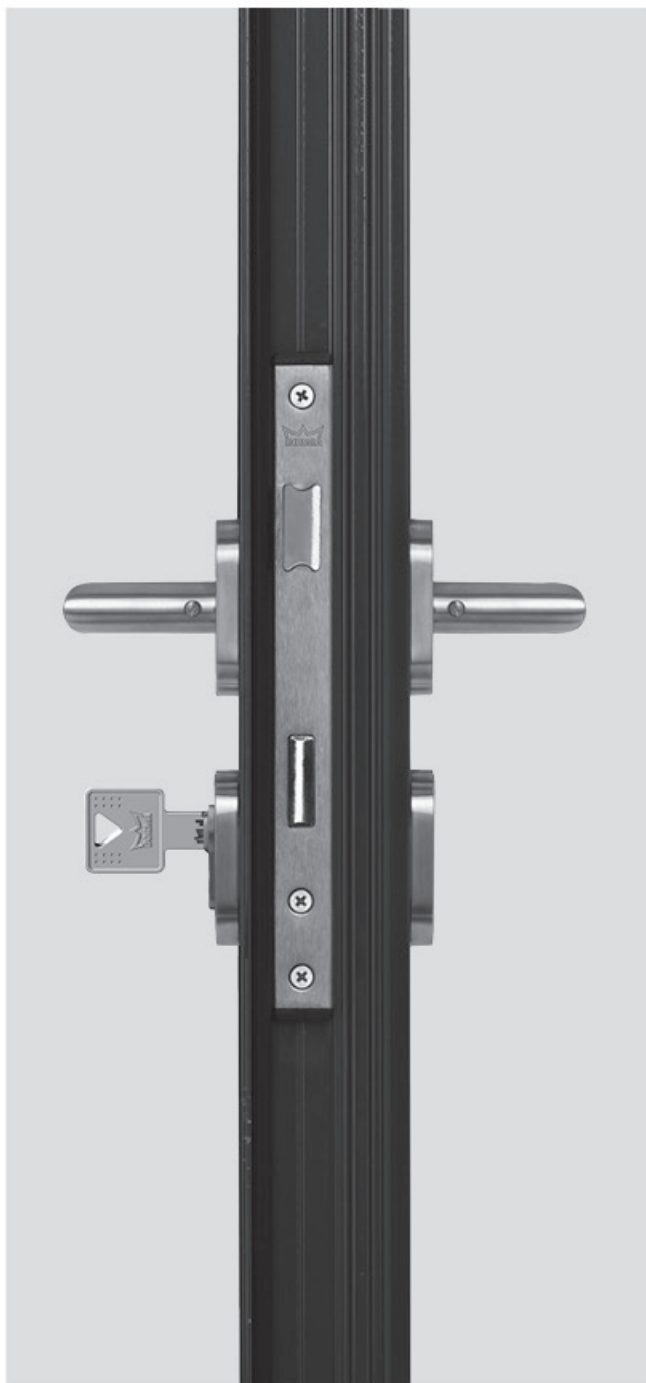


# SERIES 200

—



Mortice Locks



DORMA lock series 200  
DORMA lever handle PREMIUM 8906

Content	
	Page
<b>Mortice locks 20 0</b> Benefits / Features	3
<b>Mortice locks 20 0</b> Classification EN 12209 / Lock details	4
<b>Mortice locks 20 0</b> Handing	5
<b>Mortice locks 20 0</b> Application	5
<b>Mortice locks 20 0</b> Summary	6
<b>Mortice locks 200 CE</b> Contract	7
<b>Mortice locks 20</b> Standard	12
<b>Strike plates</b>	22
<b>DORMA locks</b> Compatibility	23
<b>Specification text</b> 200 CE, 200	23

# DORMA MORTICE LOCKS – A COMPLETE RANGE OF HIGH QUALITY PRODUCTS

Locks from DORMA offer the very highest standard of quality and functional reliability. With the use of high-grade materials, precise production techniques and a comprehensive quality management system, all DORMA locks meet demanding technical specifications.

Additionally, locks conforming to the technical requirements of DIN 18251 and EN 12209 also offer unbeatable ease of use and security features.

Locks from DORMA are also offered as a set. The package contains the Mortice lock with screws and strike plate.

### Further information, specification texts

Additional information, e.g. specification texts, drawings, and installation instructions on many products, can be accessed via electric media (Internet).

### Benefits at a glance

#### For the architect

- The high quality satin stainless steel surface finish satisfies very high demands with respect to the appearance of the door furniture.

#### For the trade

- The package contains the Mortice lock with screws and strike plate
- Non-handed lock version to reduce storage space
- Identical fixing screws for lock and strike plate simplify material management
- Having been assigned category of use grade 2 per EN 12209 the locks can also

- be reliably installed in buildings subject to heavy pedestrian traffic frequencies
- Optimated processes because DORMA locks and fittings are from one hand
- Not provided for fire-rated doors in Germany
- All the DORMA Mortice locks have following variations:
 

backset	55 mm
	60 mm
	65 mm
	70 mm
	80 mm
forend	20 mm, square
	20 mm, rounded
	24 mm, square
	24 mm, rounded

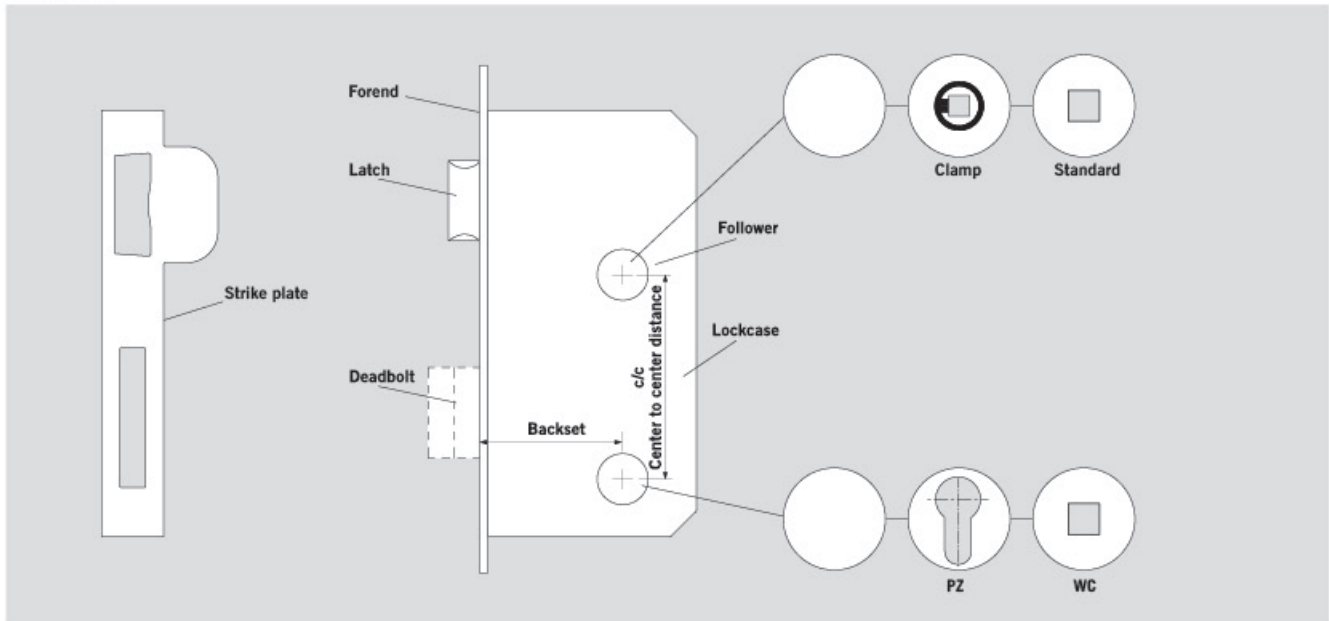
#### For the installer

- DORMA locks offer their precision by a simple, compatible assembling in standard door cuts.
- DORMA locks have consistently uniform sizes each and are interchangeable, also between each series.
- DORMA locks can be used universally by changing the latch handing, without using a tool.
- DORMA locks achieve a long life because of a robust maintenance-free lock mechanism, even under difficult operating conditions.
- DORMA locks can be commonly used with standard fittings, e.g. standard lever handles, profile cylinders, roses/escutcheons/backplates etc.
- DORMA locks are subject to strict quality requirements and are tested and certified according to EN 12209. For applications with increased security requirements the locks are tested and certified in accordance with national and international standards.

Features	200 CE Contract	200 CE Standard
Grade EN 12209	2	2
CE	●	–
DIN 18251-1	●	●
Door Application for:	Office	Office
Latch handling	Reversible	Reversible
Latch	Satin stainless steel	Solid metal nickel plated
Follower 8mm	Standard	Standard
Follower bearing	Formed	Formed
Dead bolt	Satin stainless steel	Solid metal nickel plated
Fixing holes	Unbushed	Unbushed
Forend	Screwed	Screwed
Forend SSS	AISI 304	AISI 304

● Yes – No

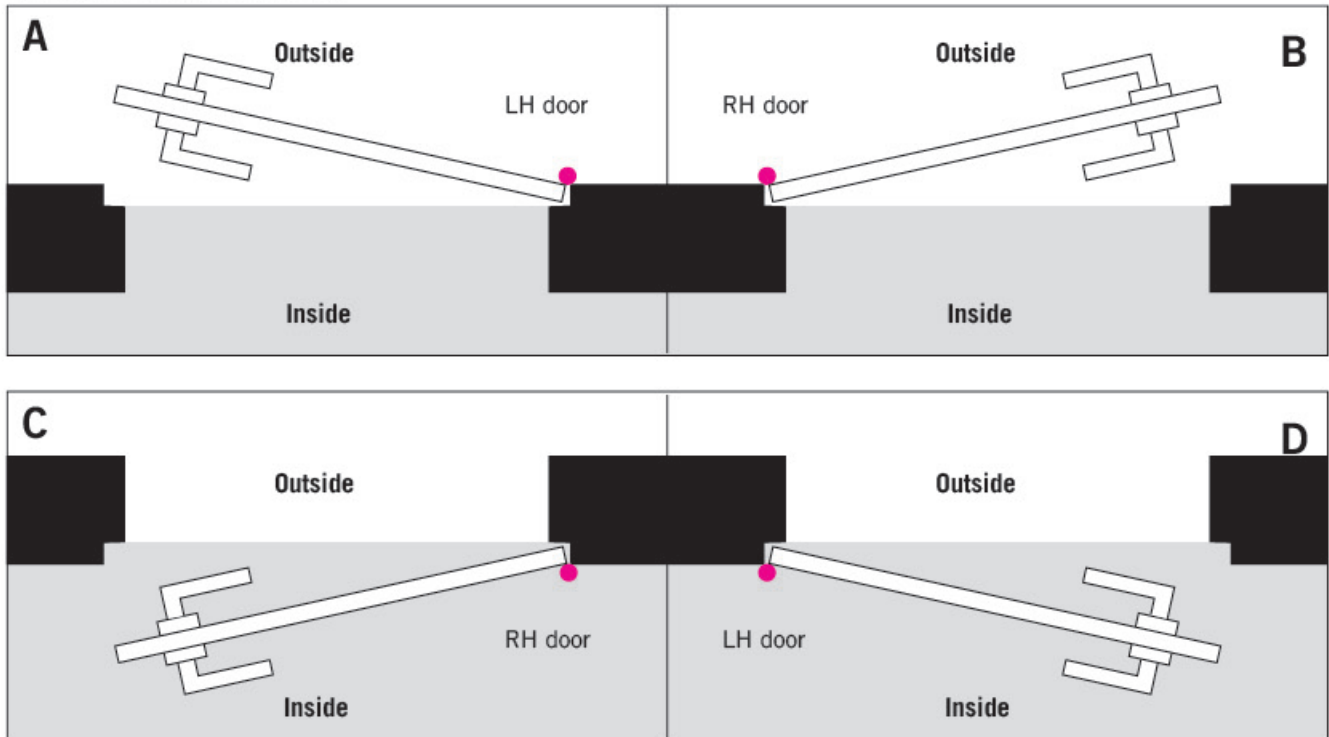
Lock details



Example Classification code to EN 12209 for the 271 lock

Mortice locks 271	2	S	6	0	0	G	3	B	C	2	0
<b>Category of use</b> e.g. office doors											<b>Key identification</b> no requirement
<b>Durability</b> 200.000 cycl./50 N load on latch bolt											<b>Type of spindle operation</b> for unsprung lever handle
<b>Door Mass</b> above 200 kg, closing force 25 N											<b>Key operation and locking</b> Cylinder manually with intermediate
<b>Fire / smoke doors</b> not approved											<b>Door application</b> Hinged door
<b>Safety</b> no requirements											<b>Security-drill resistance</b> medium no drill resistance
											<b>Corrosion resistance</b> very high resistance, NSS 120 h, -20 °C to +80 °C

Handing data for entrance door sets



Application with DORMA Beschlagtechnik lever handles

DORMA locks are prepared to be used with the DORMA Beschlagtechnik Premium, Plus and Pure ranges.



Premium for Projects with high demands on function and design

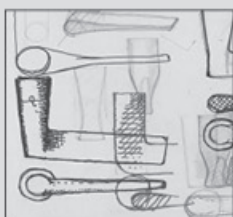


Plus for functional doors



Pure for standard doors

**CR  
EA  
TE**



Giving shape to an idea.  
Please do not hesitate to contact us.

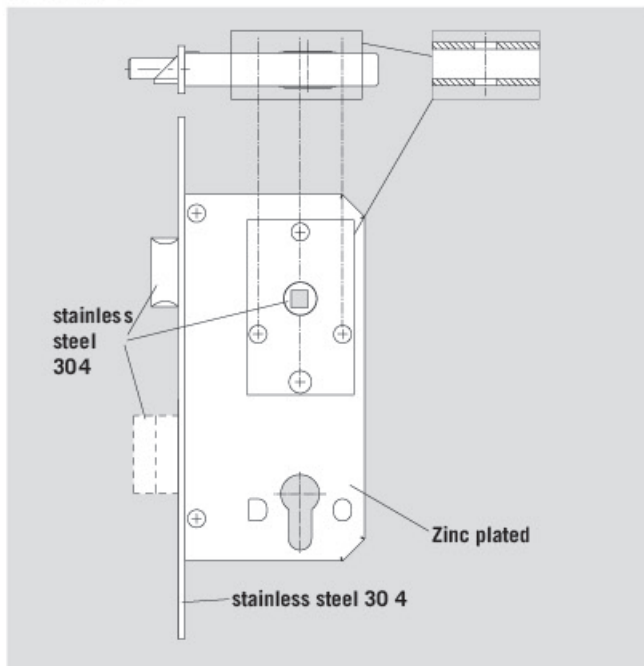


CONTRACT series 200 CE		281	285	288	289	290
Latch type standard		●	●	-	●	●
Latch retractable	by handle	●	●	-	●	●
	by cylinder	●	-	-	-	-
Dead bolt	double throw 20 mm	●	-	●	-	-
	single throw 10 mm	-	●	-	-	-
Dead bolt operable	by cylinder EPC	●	-	●	-	●
	by thumbturn	-	●	-	-	-
Centers	72 mm	●	-	●	●	●
	78 mm	-	●	-	-	-
Backset		55-80	55-80	55-80	55-80	55-80
Forend	20 mm rounded / square	● / ●	● / ●	● / ●	● / ●	● / ●
	24 mm rounded / square	● / ●	● / ●	● / ●	● / ●	● / ●
More information on page:		7	8	9	10	11

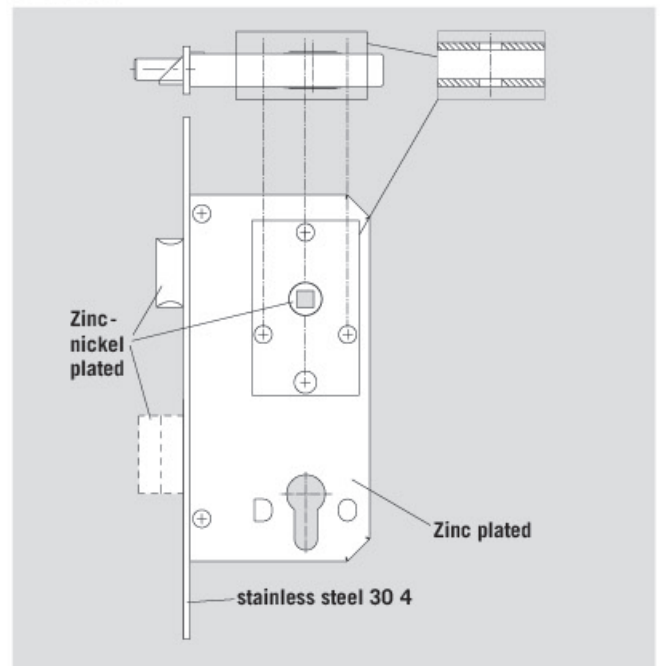
STANDARD series 200		271	275	278	279	208	209	232	233	234	235
Latch type standard		●	●	-	●	-	●	roller	-	●	●
Latch retractable	by handle	●	●	-	●	-	●	-	-	●	●
	by cylinder	●	-	-	-	-	-	-	-	-	-
Dead bolt	double throw 20 mm	●	-	●	-	●	-	●	-	-	-
	single throw 10 mm	-	●	-	-	-	-	-	●	-	●
Dead bolt operable	by cylinder EPC	●	-	●	-	●	-	●	-	lockable follower	-
	by thumbturn	-	●	-	-	-	-	-	●	-	-
Centers	72 mm	●	-	●	●	-	-	●	-	●	●
	78 mm	-	●	-	-	-	-	-	●	-	-
	85 mm	-	-	-	-	-	-	-	-	-	-
Backset		55-80	55-80	55-80	55-80	55	55	55-80	55-80	55-80	55-80
Forend	20 mm rounded / square	● / ●	● / ●	● / ●	● / ●	● / ●	● / ●	● / -	● / ●	● / ●	● / ●
	24 mm rounded / square	● / ●	● / ●	● / ●	● / ●	● / ●	● / ●	- / ●	● / ●	● / ●	● / ●
More information on page:		12	13	14	15	16	17	18	19	20	21

● Yes - No

Series 200 CE



Series 200



# MORTICE LOCK 281

Locks for interior and exterior doors, e.g. in office buildings

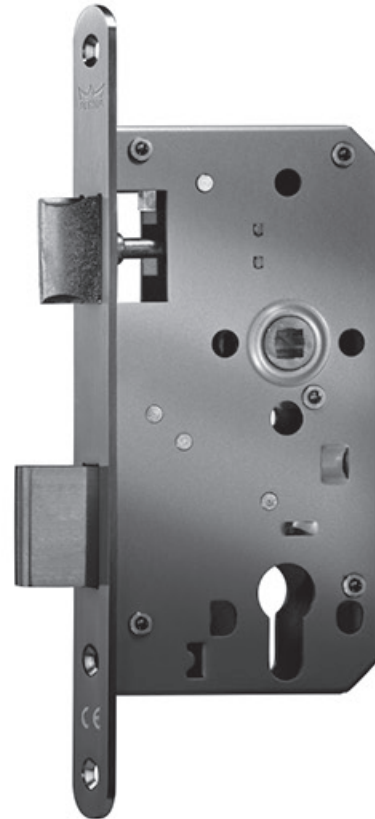
## Features

Grade 2 – EN 12209

approved for fire-rate doors with CE certificate

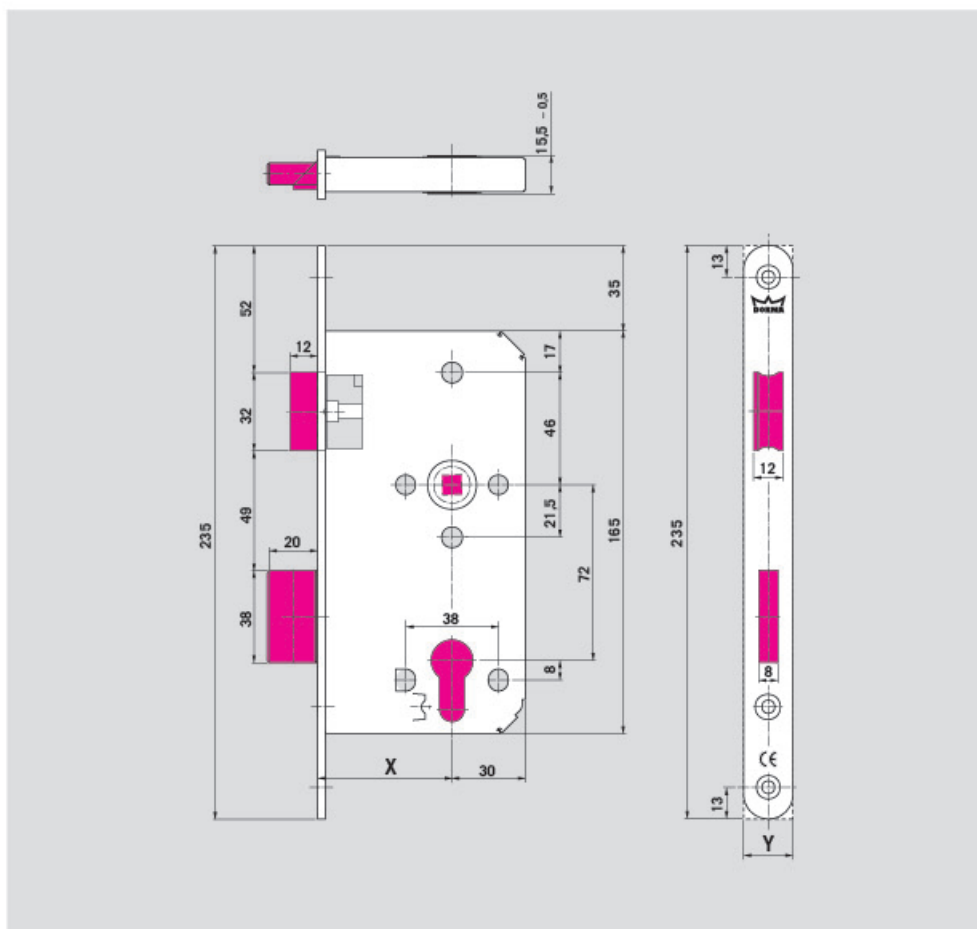
- Lock case size DIN 18251-1, closed case, zinc plated
- lock case prepared for Euro profile cylinder (DIN18252) and standard fittings
- latch handing is reversible
- latch and dead bolt, stainless steel, satin
- follower, stainless steel, 8 mm square hole, mounted in drawn steel bushes
- centred forend, satin stainless steel 1.4301 / AISI 304

Recommended Strike plate: 20 side: non-handed



## Classification EN 12209

2	S	6	1	0	G	3	B	C	2	0
---	---	---	---	---	---	---	---	---	---	---



## Possible variation

### Backset: X

- 55 mm
- 60 mm
- 65 mm
- 70 mm
- 80 mm

### Dimension of forend: Y

- square 20 mm
- 24 mm
- rounded 20 mm
- 24 mm



DORMA locks are prepared to be used with the levers of DORMA Beschlagtechnik

# MORTICE LOCK 285

Locks for bathroom doors, e.g. in office buildings

### Features

Grade 2 – EN 12209

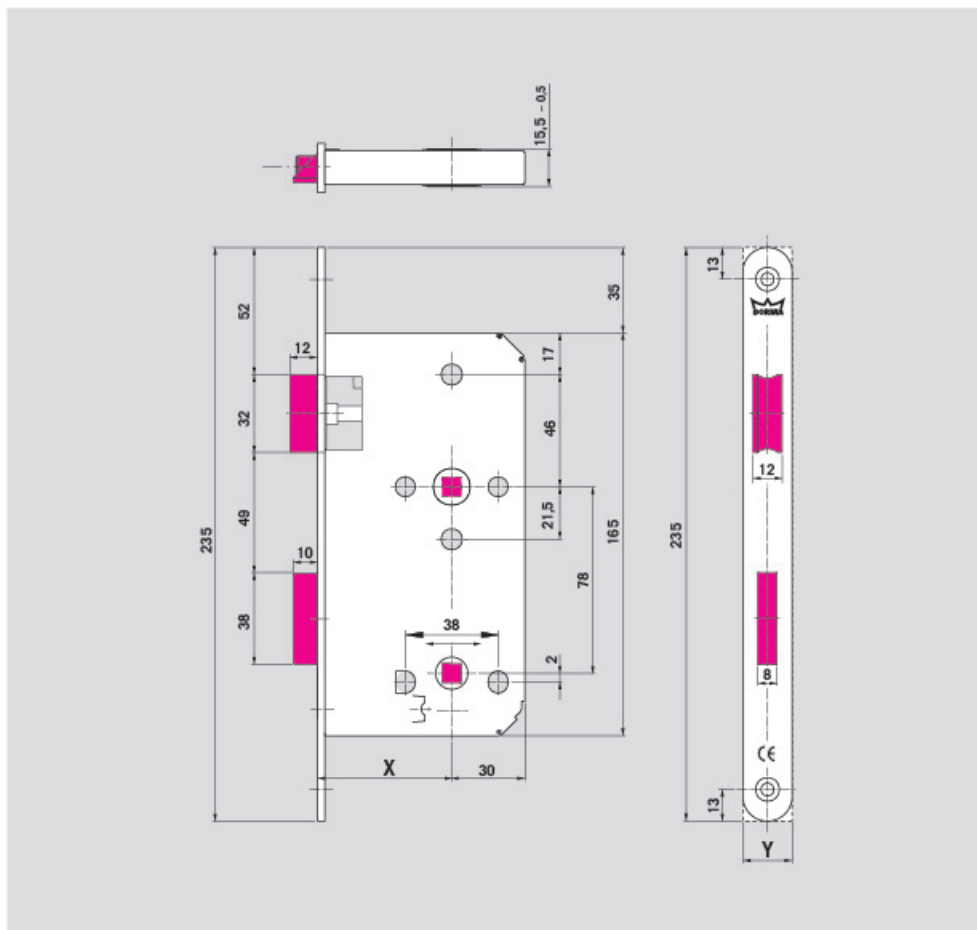
approved for fire-rate doors with CE certificate

- Lock case size DIN 18251-1, closed case, zinc plated
- lock case prepared for thumbturn and standard fittings and standard fittings
- latch handing is reversible
- latch and dead bolt, stainless steel, satin
- follower, stainless steel, 8 mm square hole, mounted in drawn steel bushes and 8 mm bathroom follower
- centred forend, satin stainless steel 1.4301 / AISI 304

**Recommended Strike plate: 20**      **side: non-handed**

### Classification EN 12209

2	S	6	1	0	G	3	K	G	2	0
---	---	---	---	---	---	---	---	---	---	---



### Possible variation

#### Backset: X

- 55 mm
- 60 mm
- 65 mm
- 70 mm
- 80 mm

#### Dimension of forend: Y

- square 20 mm
- 24 mm
- rounded 20 mm
- 24 mm



DORMA locks are prepared to be used with the levers of DORMA Beschlagtechnik



# MORTICE LOCK 288

Locks for interior and exterior doors, e.g. in office buildings

## Features

Grade 2 – EN 12209

approved for fire-rate doors with CE certificate

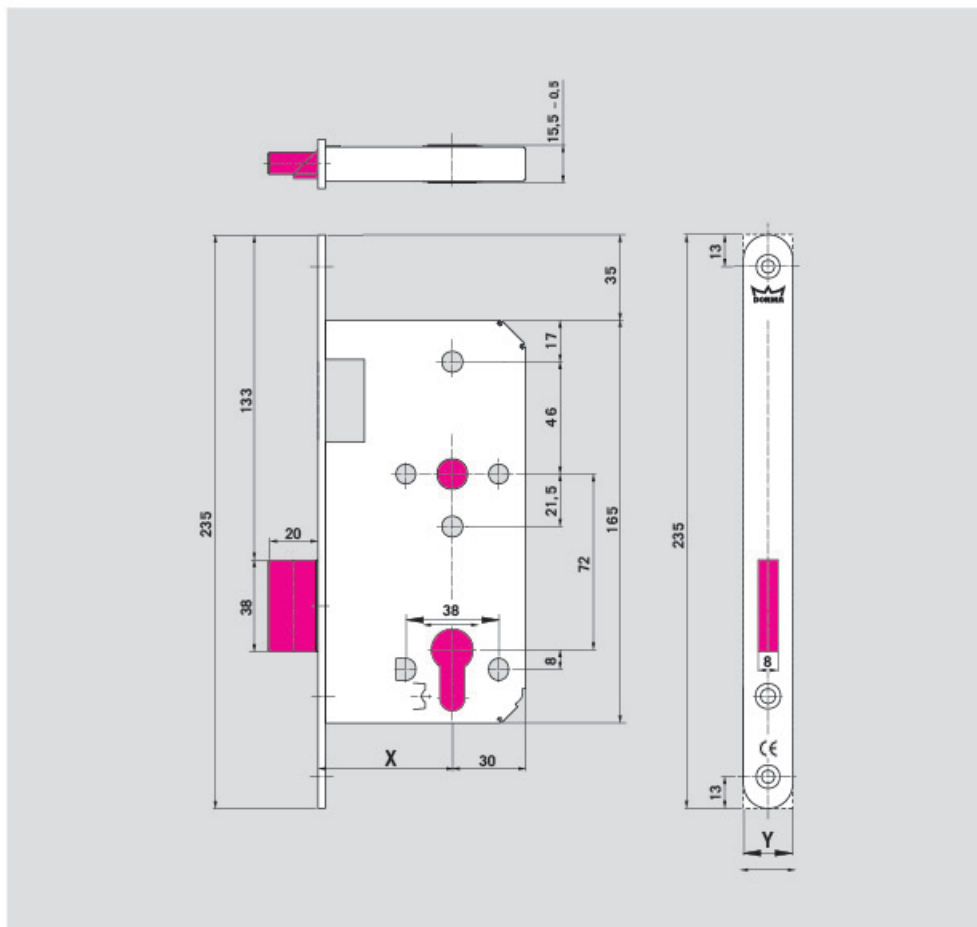
- Lock case size DIN 18251-1, closed case, zinc plated
- lock case prepared for Euro profile cylinder (DIN18252) and standard fittings
- dead bolt, stainless steel, satin
- centred forend, satin stainless steel 1.4301 / AISI 304

Recommended Strike plate: 21 side: non-handed



## Classification EN 12209

2	S	6	1	0	G	3	B	C	0	0
---	---	---	---	---	---	---	---	---	---	---



## Possible variation

### Backset: X

- 55 mm
- 60 mm
- 65 mm
- 70 mm
- 80 mm

### Dimension of forend: Y

- square 20 mm
- 24 mm
- rounded 20 mm
- 24 mm

# MORTICE LOCK 289

Locks for interior and exterior doors, e.g. in office buildings

## Features

Grade 2 – EN 12209

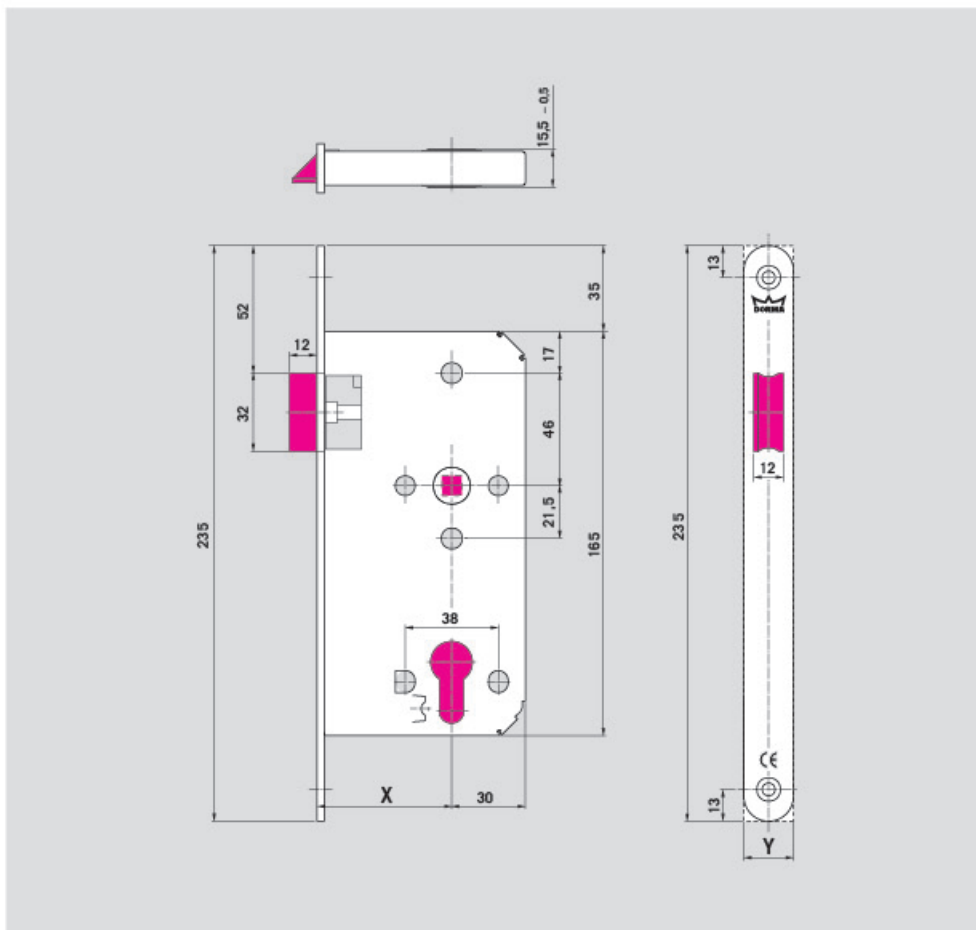
approved for fire-rate doors with CE certificate

- Lock case size DIN 18251-1, closed case, zinc plated
- lock case prepared for Euro profile cylinder (DIN18252) and standard fittings
- latch handing is reversible
- latch, stainless steel, satin
- follower, stainless steel, 8 mm square hole, mounted in drawn steel bushes
- centred forend, satin stainless steel 1.4301 / AISI 304

**Recommended Strike plate: 23**      **side: non-handed**

## Classification EN 12209

2	S	6	1	0	G	3	B	0	2	0
---	---	---	---	---	---	---	---	---	---	---



## Possible variation

### Backset: X

- 55 mm
- 60 mm
- 65 mm
- 70 mm
- 80 mm

### Dimension of forend: Y

- square 20 mm
- 24 mm
- rounded 20 mm
- 24 mm



DORMA locks are prepared to be used with the levers of DORMA Beschlagtechnik

# MORTICE LOCK 290

Locks for interior and exterior doors, e.g. in office buildings

## Features

Grade 2 – EN 12209

approved for fire-rate doors with CE certificate

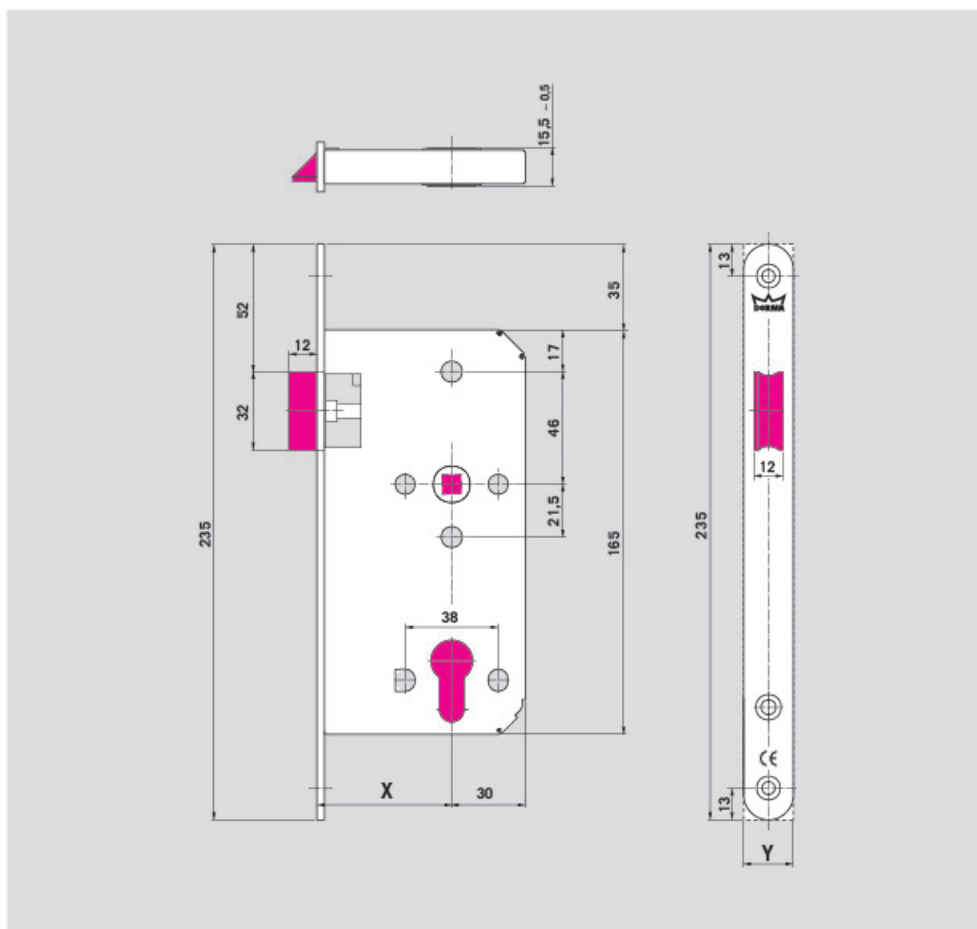
- Lock case size DIN 18251-1, closed case, zinc plated
- lock case prepared for Euro profile cylinder (DIN18252) and standard fittings
- latch handing is reversible, with night latch function
- latch, stainless steel, satin
- follower, stainless steel, 8 mm square hole, mounted in drawn steel bushes
- centred forend, satin stainless steel 1.4301 / AISI 304

Recommended Strike plate: 23 side: non-handed



## Classification EN 12209

2	S	6	1	0	G	3	B	0	2	0
---	---	---	---	---	---	---	---	---	---	---



## Possible variation

### Backset: X

- 55 mm
- 60 mm
- 65 mm
- 70 mm
- 80 mm

### Dimension of forend: Y

- square 20 mm
- 24 mm
- rounded 20 mm
- 24 mm



DORMA locks are prepared to be used with the levers of DORMA Beschlagtechnik

# MORTICE LOCK 271

Locks for interior and exterior doors, e.g. in office buildings

## Features

Grade 2 – EN 12209

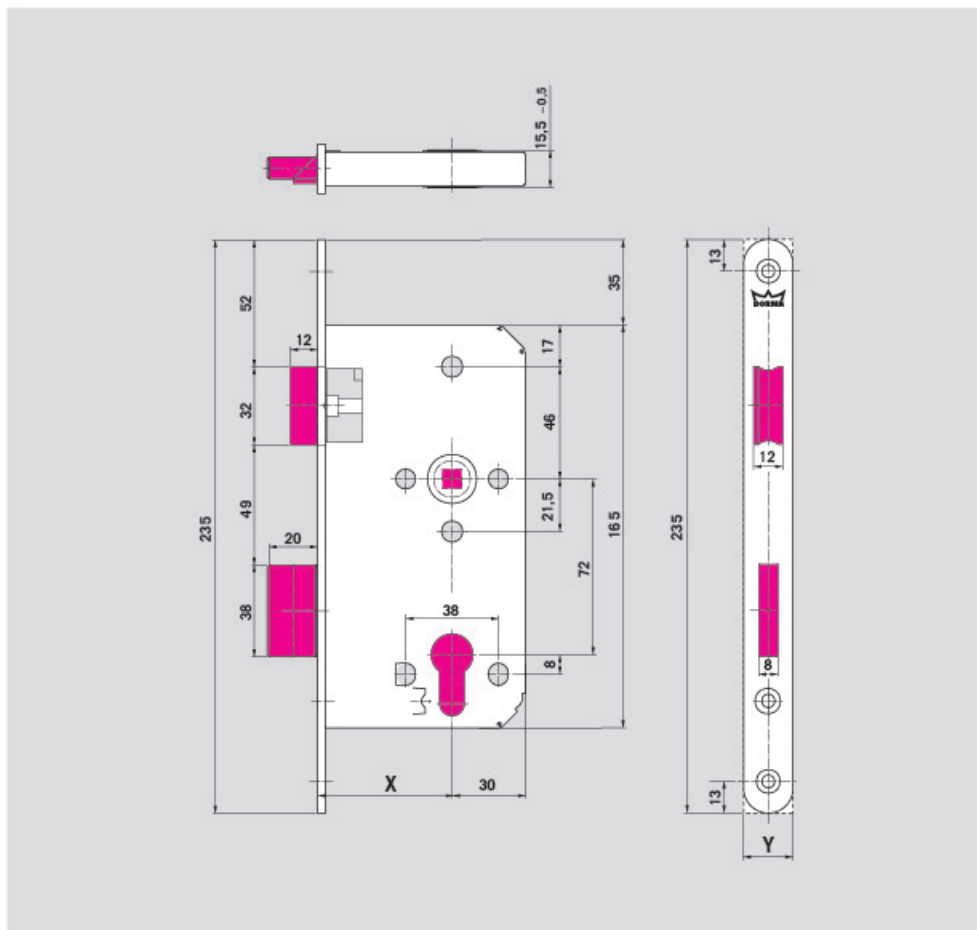
- Lock case size DIN 18251-1, closed case, zinc plated
- lock case prepared for Euro profile cylinder (DIN18252) and standard fittings
- latch handing is reversible
- latch and dead bolt, zinc, nickel plated
- follower, steel blade, 8 mm square hole, mounted in drawn steel bushes
- centred forend, satin stainless steel 1.4301 / AISI 304, changeable

Recommended Strike plate: 20 side: non-handed



## Classification EN 12209

2	S	6	0	0	G	3	B	C	2	0
---	---	---	---	---	---	---	---	---	---	---



## Possible variation

### Backset: X

- 55 mm
- 60 mm
- 65 mm
- 70 mm
- 80 mm

### Dimension of forend: Y

- square 20 mm
- 24 mm
- rounded 20 mm
- 24 mm



DORMA locks are prepared to be used with the levers of DORMA Beschlagtechnik

# MORTICE LOCK 275

Locks for bathroom doors, e.g. in office buildings

## Features

Grade 2 – EN 12209

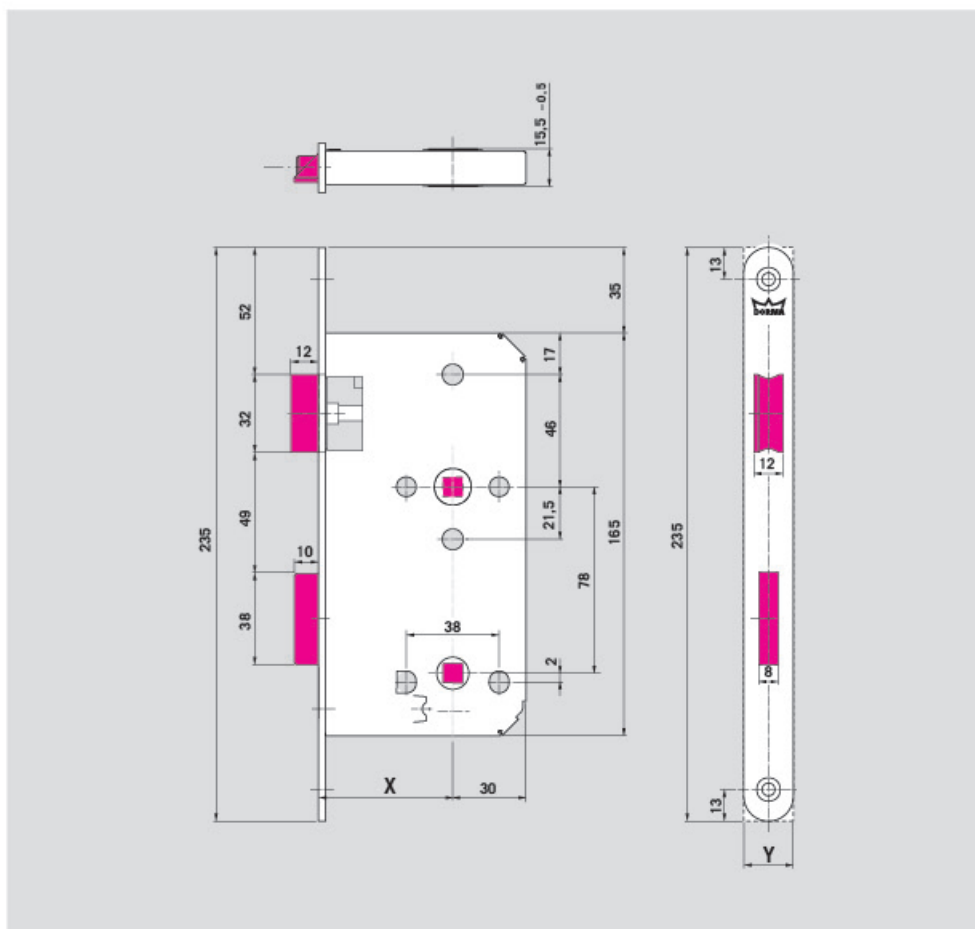
- Lock case size DIN 18251-1, closed case, zinc plated
- lock case prepared for Euro profile cylinder (DIN18252) and standard fittings
- latch handing is reversible
- latch and dead bolt, zinc, nickel plated
- follower, steel blade, 8 mm square hole, mounted in drawn steel bushes and 8 mm bathroom follower
- centred forend, satin stainless steel 1.4301 / AISI 304, changeable

Recommended Strike plate: 20 side: non-handed



## Classification EN 12209

2	S	6	0	0	G	3	K	G	2	0
---	---	---	---	---	---	---	---	---	---	---



## Possible variation

### Backset: X

- 55 mm
- 60 mm
- 65 mm
- 70 mm
- 80 mm

### Dimension of forend: Y

- square 20 mm
- 24 mm
- rounded 20 mm
- 24 mm



DORMA locks are prepared to be used with the levers of DORMA Beschlagtechnik

# MORTICE LOCK 278

Locks for interior and exterior doors, e.g. in office buildings

### Features

Grade 2 – EN 12209

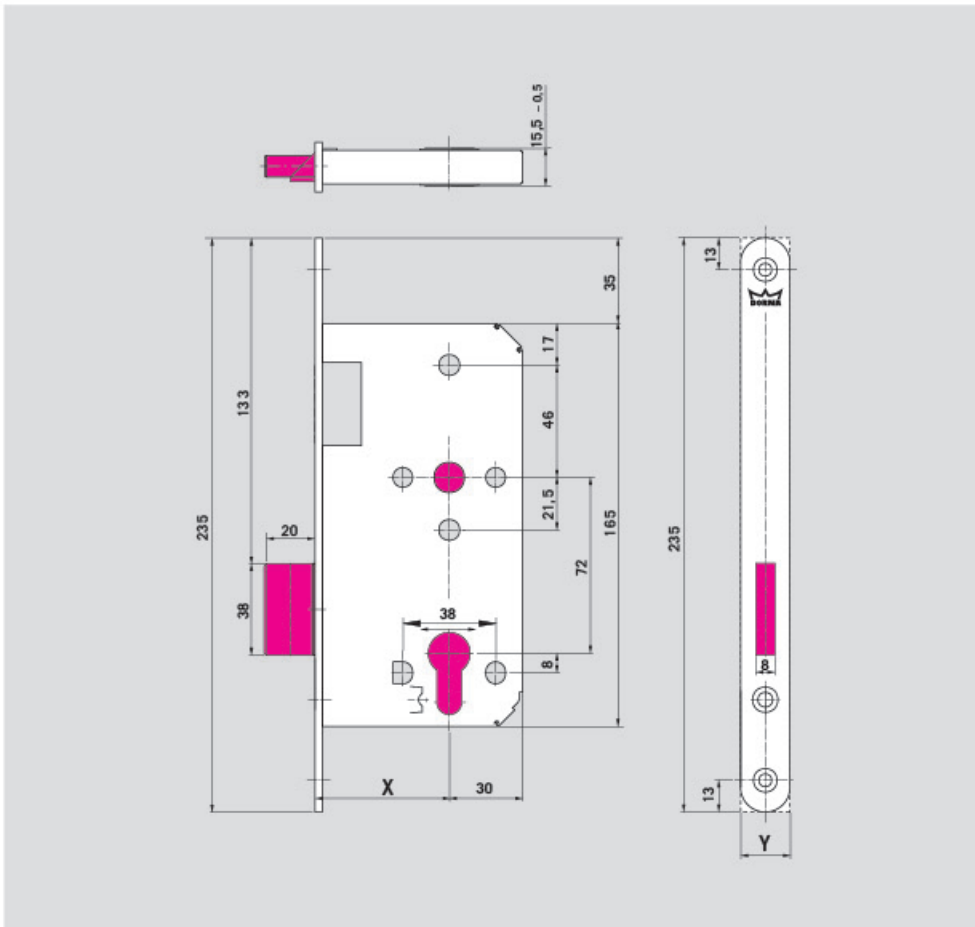
- Lock case size DIN 18251-1, closed case, zinc plated
- lock case prepared for Euro profile cylinder (DIN18252) and standard fittings
- dead bolt, zinc, nickel plated
- centred forend, satin stainless steel 1.4301 / AISI 304, changeable

Recommended Strike plate: 21 side: non-handed



### Classification EN 12209

2	S	6	0	0	G	3	B	C	2	0
---	---	---	---	---	---	---	---	---	---	---



### Possible variation

#### Backset: X

- 55 mm
- 60 mm
- 65 mm
- 70 mm
- 80 mm

#### Dimension of forend: Y

- square 20 mm
- 24 mm
- rounded 20 mm
- 24 mm

# MORTICE LOCK 279

Locks for interior and exterior doors, e.g. in office buildings

## Features

Grade 2 – EN 12209

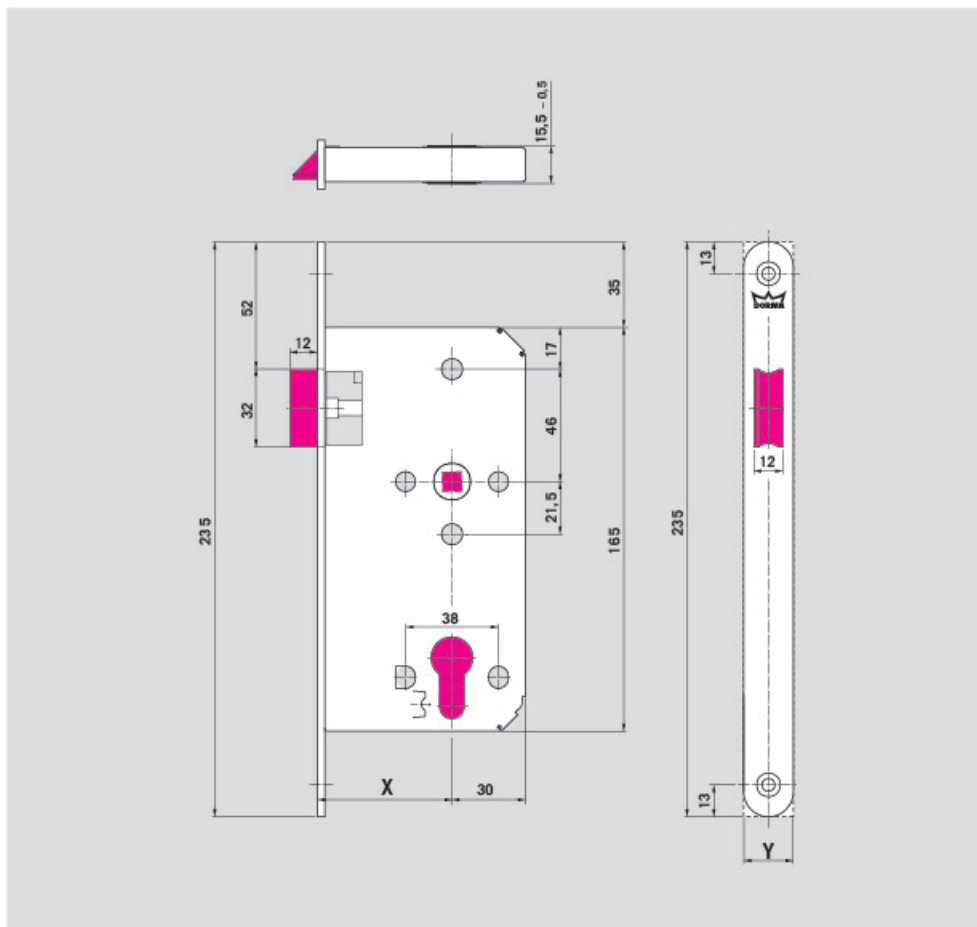
- Lock case size DIN 18251-1, closed case, zinc plated
- lock case prepared for standard fittings
- latch handing is reversible
- latch, zinc, nickel plated
- follower, steel blade, 8 mm square hole, mounted in drawn steel bushes
- centred forend, satin stainless steel 1.4301 / AISI 304, changeable

Recommended Strike plate: 23 side: non-handed



## Classification EN 12209

2	S	6	0	0	G	3	K	G	2	0
---	---	---	---	---	---	---	---	---	---	---



## Possible variation

### Backset: X

- 55 mm
- 60 mm
- 65 mm
- 70 mm
- 80 mm

### Dimension of forend: Y

- square 20 mm
- 24 mm
- rounded 20 mm
- 24 mm



DORMA locks are prepared to be used with the levers of DORMA Beschlagtechnik

# MORTICE LOCK 208

Locks for interior doors, e.g. in office buildings

### Features

Grade 2 – EN 12209

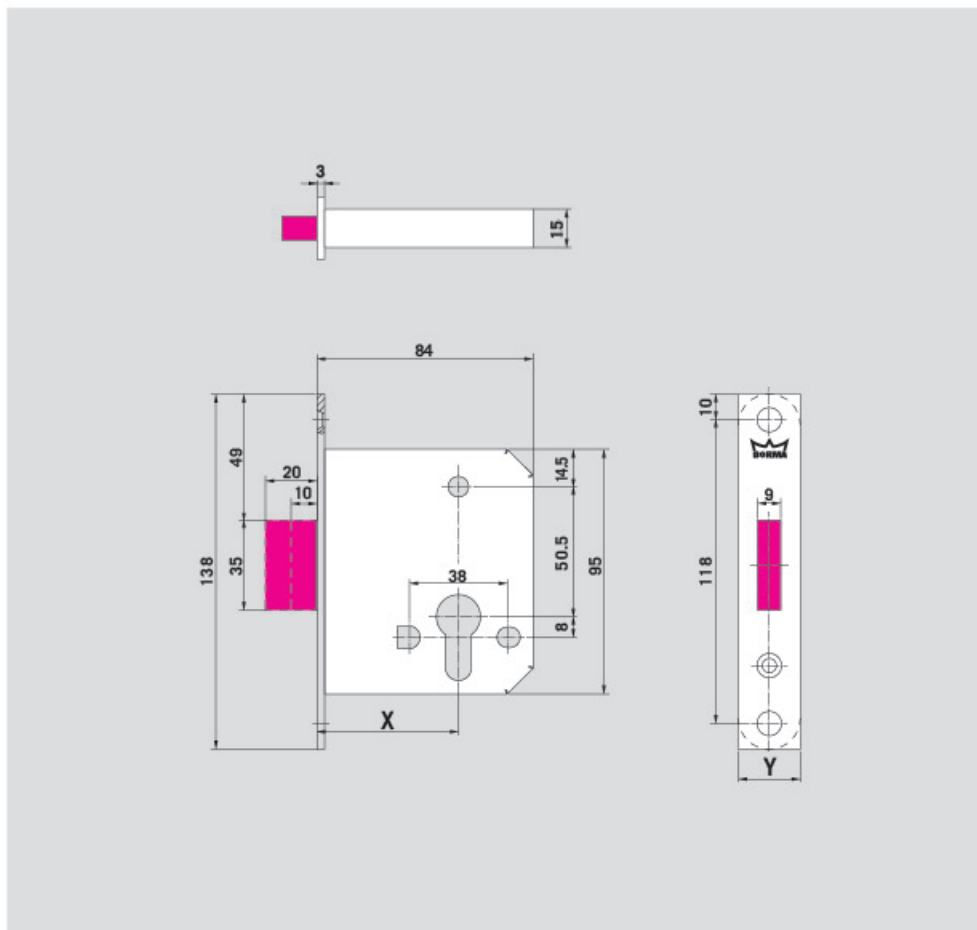
- closed lock case, zinc plated
- lock case prepared for Euro profile cylinder (DIN18252) and standard fittings
- dead bolt, zinc, nickel plated
- centred forend, satin stainless steel 1.4301 / AISI 304, changeable

Recommended Strike plate: 21 side: non-handed



### Classification EN 12209

2	S	6	0	0	G	3	B	C	0	0
---	---	---	---	---	---	---	---	---	---	---



### Possible variation

#### Backset: X

55 mm

#### Dimension of forend: Y

square 20 mm

24 mm

rounded 20 mm

24 mm



# MORTICE LOCK 209

Locks for interior doors, e.g. in office buildings

## Features

Grade 2 – EN 12209

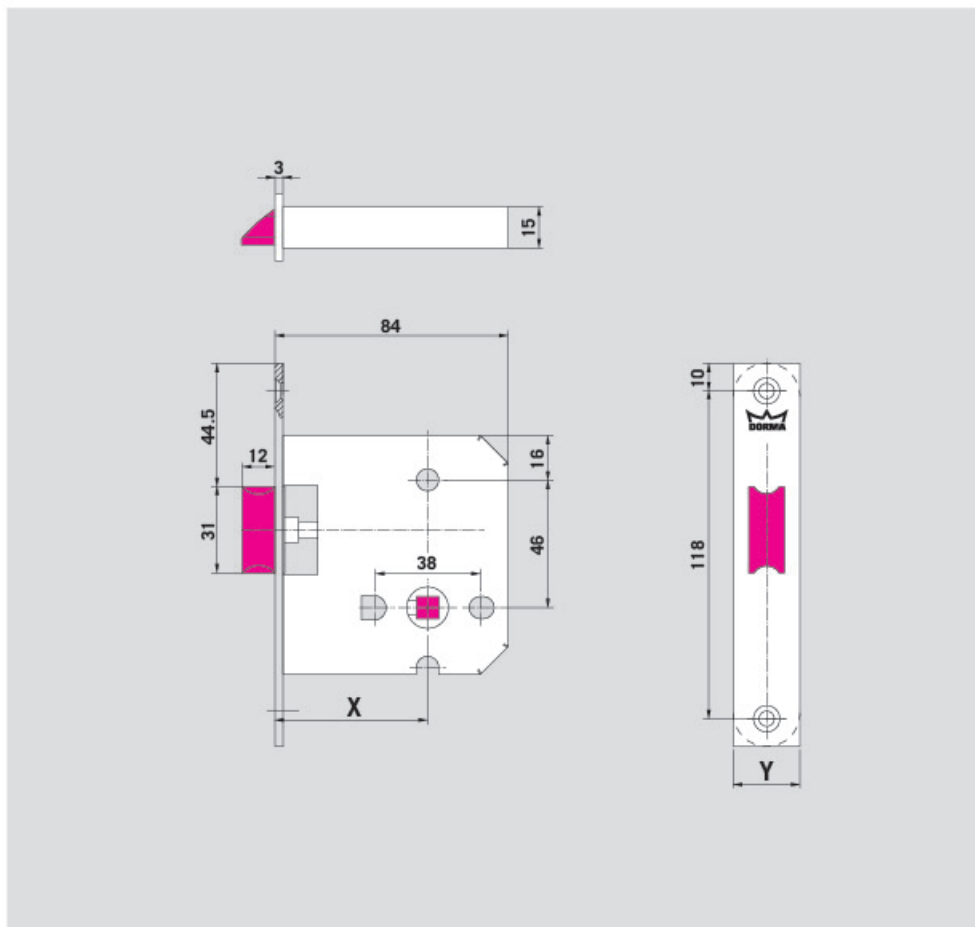
- closed lock case, zinc plated
- lock case prepared for standard fittings
- latch handing is reversible
- latch, zinc, nickel plated
- followed, steel blade, 8 mm square hole, mounted in drawn steel bushes
- centred forend, satin stainless steel 1.4301 / AISI 304, changeable

Recommended Strike plate: 23      side: non-handed



## Classification EN 12209

2	S	6	0	0	G	3	B	0	2	0
---	---	---	---	---	---	---	---	---	---	---



## Possible variation

### Backset: X

55 mm

### Dimension of forend: Y

square 20 mm

24 mm

rounded 20 mm

24 mm



# MORTICE LOCK 233

Locks for bathroom doors, e.g. in office buildings

## Features

Grade 2 – EN 12209

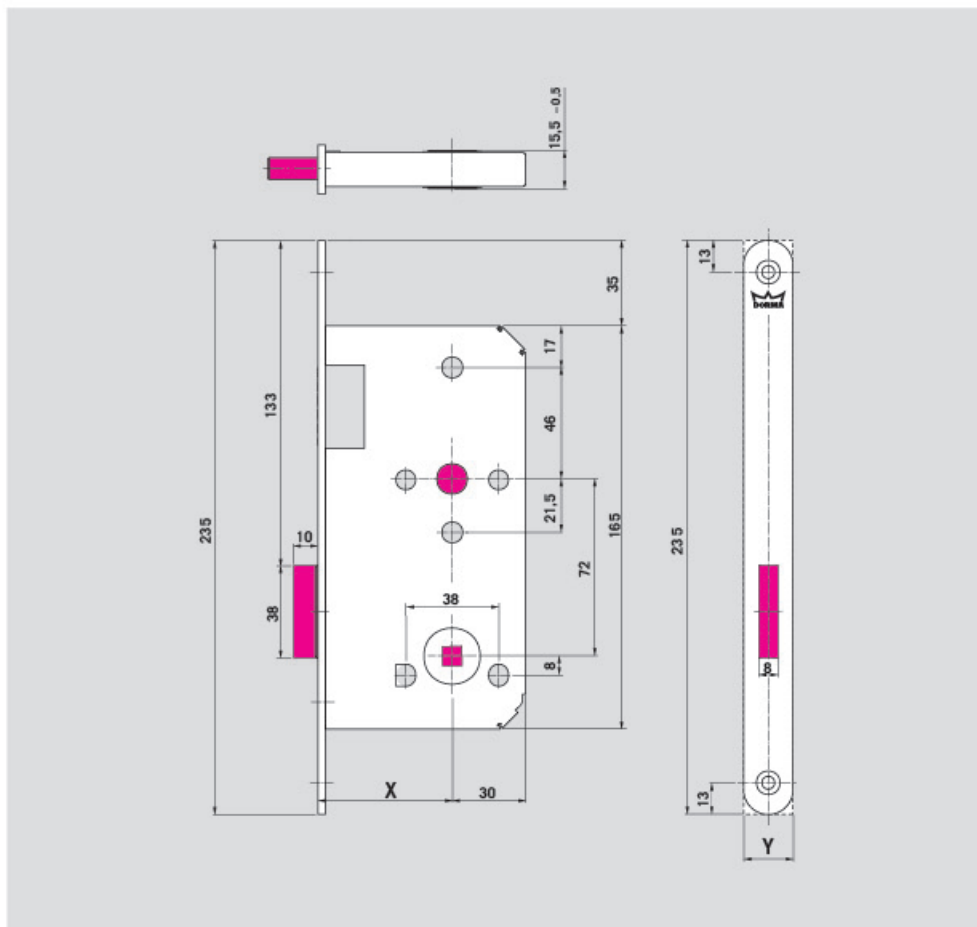
- Lock case size DIN 18251-1, closed case, zinc plated
- lock case prepared for thumbturn 8 mm and standard fittings
- dead bolt, zinc, nickel plated
- centred forend, satin stainless steel 1.4301 / AISI 304, changeable

Recommended Strike plate: 21 side: non-handed



## Classification EN 12209

2	S	6	0	0	G	3	K	G	2	0
---	---	---	---	---	---	---	---	---	---	---



## Possible variation

### Backset: X

- 55 mm
- 60 mm
- 65 mm
- 70 mm
- 80 mm

### Dimension of forend: Y

- square 20 mm
- 24 mm
- rounded 20 mm
- 24 mm

# MORTICE LOCK 234

Locks for interior doors, e.g. in office buildings

### Features

Grade 2 – EN 12209

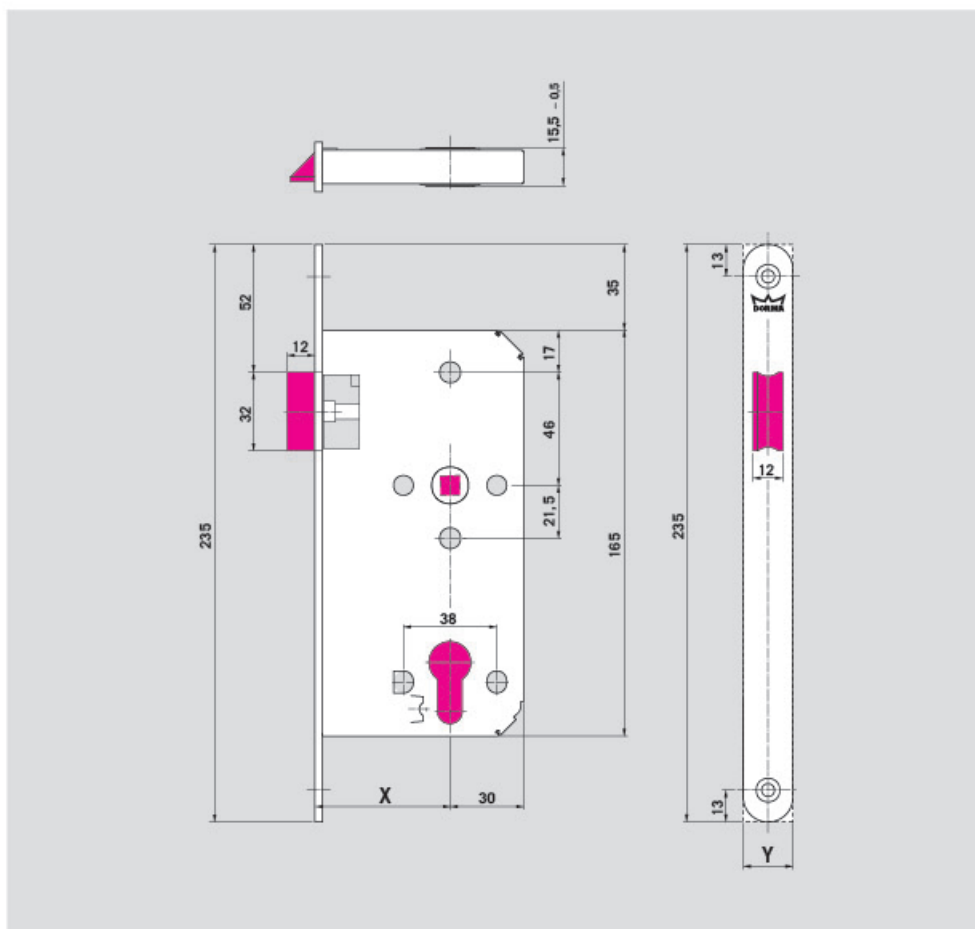
- Lock case size DIN 18251-1, closed case, zinc plated
- lock case prepared for Euro profile cylinder (DIN18252) and standard fittings
- latch handing is reversible
- latch, zinc, nickel plated
- follower, steel blade, 8 mm square hole, mounted in drawn steel bushes
- lockable by cylinder
- centred forend, satin stainless steel 1.4301 / AISI 304, changeable

Recommended Strike plate: 23 side: non-handed



### Classification EN 12209

2	S	6	0	0	G	3	K	G	2	0
---	---	---	---	---	---	---	---	---	---	---



### Possible variation

#### Backset: X

- 55 mm
- 60 mm
- 65 mm
- 70 mm
- 80 mm

#### Dimension of forend: Y

- square 20 mm
- 24 mm
- rounded 20 mm
- 24 mm



DORMA locks are prepared to be used with the levers of DORMA Beschlagtechnik

# MORTICE LOCK 235

Locks for bathroom doors, e.g. in office buildings

## Features

Grade 2 – EN 12209

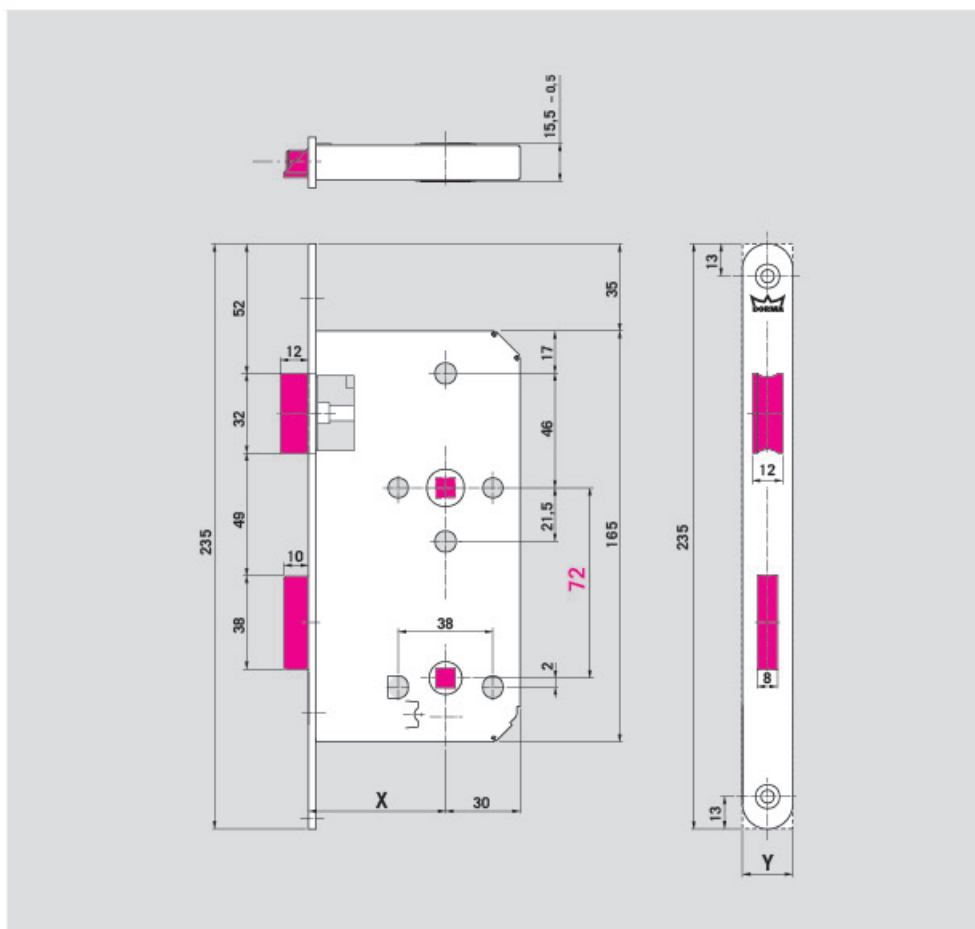
- Lock case size DIN 18251-1, closed case, zinc plated
- lock case prepared for thumbturn and standard fittings (c/c 72 mm)
- latch handing is reversible
- latch and dead bolt, zinc, nickel plated
- follower, steel blade, 8 mm square hole, mounted in drawn steel bushes and 8 mm bathroom follower
- centred forend, satin stainless steel 1.4301 / AISI 304, changeable

Recommended Strike plate: 20 side: non-handed



## Classification EN 12209

2	S	6	0	0	G	3	K	G	2	0
---	---	---	---	---	---	---	---	---	---	---



## Possible variation

### Backset: X

- 55 mm
- 60 mm
- 65 mm
- 70 mm
- 80 mm

### Dimension of forend: Y

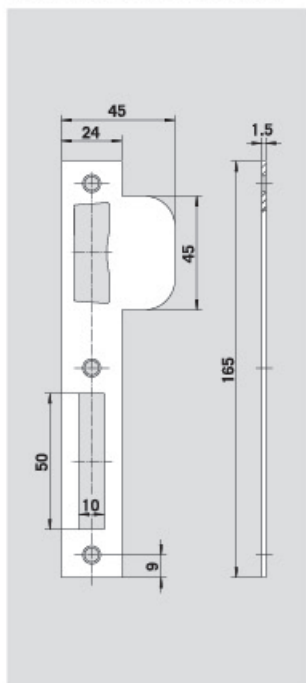
- square 20 mm
- 24 mm
- rounded 20 mm
- 24 mm



DORMA locks are prepared to be used with the levers of DORMA Beschlagtechnik

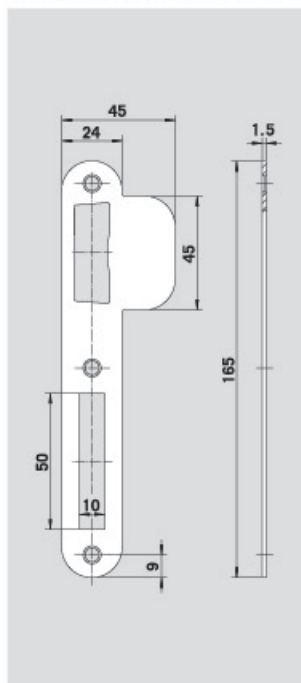
## STRIKE PLATES TYPE 020

Material: satin stainless steel



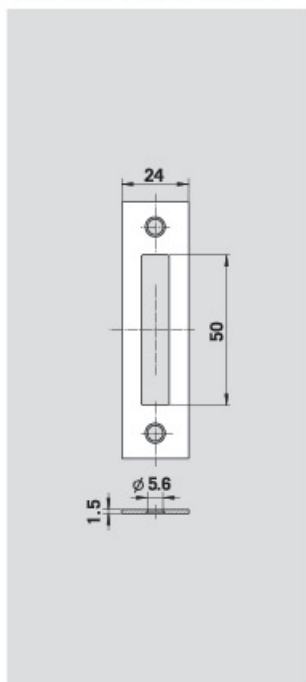
## STRIKE PLATES TYPE 020-1

Material: satin stainless steel



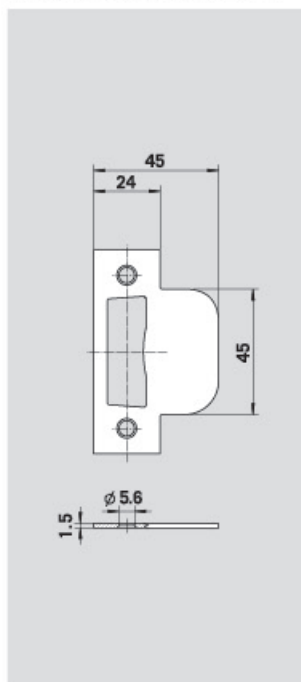
## STRIKE PLATES TYPE 021

Material: satin stainless steel



## STRIKE PLATES TYPE 023

Material: satin stainless steel



## COMPATIBILITY WITH THE PREVIOUS PROGRAM

Locks of the previous program can be easily replaced by the locks of the new program. The dimensions as well as the functions of the two programs are similar.

The figure below shows the compatibility of the two programs.

New program	Previous program
<b>200 CE</b>	
281	752-F
285	790-F
288	532-F
289	515-F
290	116
<b>200</b>	
271	771
275	775
278	778
279	779



## DORMA MORTICE CE LOCK – CONTRACT

Locks for interior and exterior doors and fire-rated doors, intended for office buildings, Grade 2 – EN 12209, approved for fire-rated doors with CE-certificate, Lock case size DIN 18251-1, Latch handing is reversible, Lock case prepared for standard fittings, closed

case, zinc plated, Latch and deadbolt satin stainless steel, Deadbolt projection double throw 20 mm (bathroom / WC 10 mm), Clamp follower 8 mm, stainless steel, mounted in drawn steel bushes, Centred forend, satin stainless steel AISI 304

### Lock type

- Europrofile cylinder with night latch function, 72 mm centres (281)
- Bathroom/WC, for WC knob – 8 mm, 78 mm centres (285)
- Deadbolt lock, Europrofile cylinder (288)
- Latch lock (289)
- Latch lock, Europrofile cylinder with night latch function, 72 mm centres (290)

### Backset:

- 55 mm
- 60 mm
- 65 mm
- 70 mm
- 80 mm

### Forend width

- 20 mm
- 24 mm

### Forend design

- Rounded ends
- Square ends

## DORMA MORTICE LOCK – STANDARD

Locks for interior and exterior doors, intended for office buildings, Grade 2 – EN 12209, lock case size DIN 18251-1, Latch handing is reversible, Lock case prepared for standard fittings, closed case, zinc plated, Latch and deadbolt zinc, nickle plated, Deadbolt

projection double throw 20 mm (bathroom / WC 10 mm), Follower 8 mm, steel blade, mounted in drawn steel bushes, Centred forend, satin stainless steel AISI 304

### Lock type

- Europrofile cylinder with night latch function, 72 mm centres (271)
- Bathroom/WC, for WC knob – 8 mm, 78 mm centres (275)
- Deadbolt lock, Europrofile cylinder (278)
- Latch lock (279)
- Deadbolt lock, small case, 55 mm backset only, Europrofile cylinder, latch and deadbolt satin stainless steel (208)
- Latch lock, small case, 55 mm backset only, latch and deadbolt satin stainless steel (209)
- Europrofile cylinder, roller latch and deadbolt, 72 mm centres (232)
- Deadbolt lock, for WC knob – 8mm (233)
- Europrofile cylinder, latch and lockable handle, 72 mm centres (234)
- Bathroom/WC, for WC knob – 8 mm, 72 mm centres (235)

### Backset:

- 55 mm
- 60 mm
- 65 mm
- 70 mm
- 80 mm

### Forend width

- 20 mm
- 24 mm

### Forend design

- Rounded ends
- Square ends



DORMA Far East Pte. Ltd.  
Singapore  
31 Gul Lane  
Singapore 629425  
Tel : +65 6268 7633  
Fax : +65 6265 7995  
+65 6459 0137  
[www.dorma.com.sg](http://www.dorma.com.sg)  
Co. Reg. No. 1981-03135-W

Taiwan  
Tel : +886 2 2709 6611  
Fax : +886 2 2709 9911

Thailand  
Tel : +66 2 236 4994/5/6  
Fax : +66 2 236 4997

Vietnam  
Tel : +84 8 62 888 748  
Fax : +84 8 62 888 701

DORMA Korea Inc.  
Tel : +82 31 776 0051  
Fax : +82 31 776 0054

DORMA Hueppe Asia (Malaysia)  
Tel : +60 7 5985 730  
Fax : +60 7 5985 729

DORMA Far East Sdn. Bhd. (Malaysia)  
Tel : +603 7665 1683  
Fax : +603 7665 1680

DORMA Philippines Corp.  
Tel : +63 2 893 4078  
Fax : +63 2 845 1108

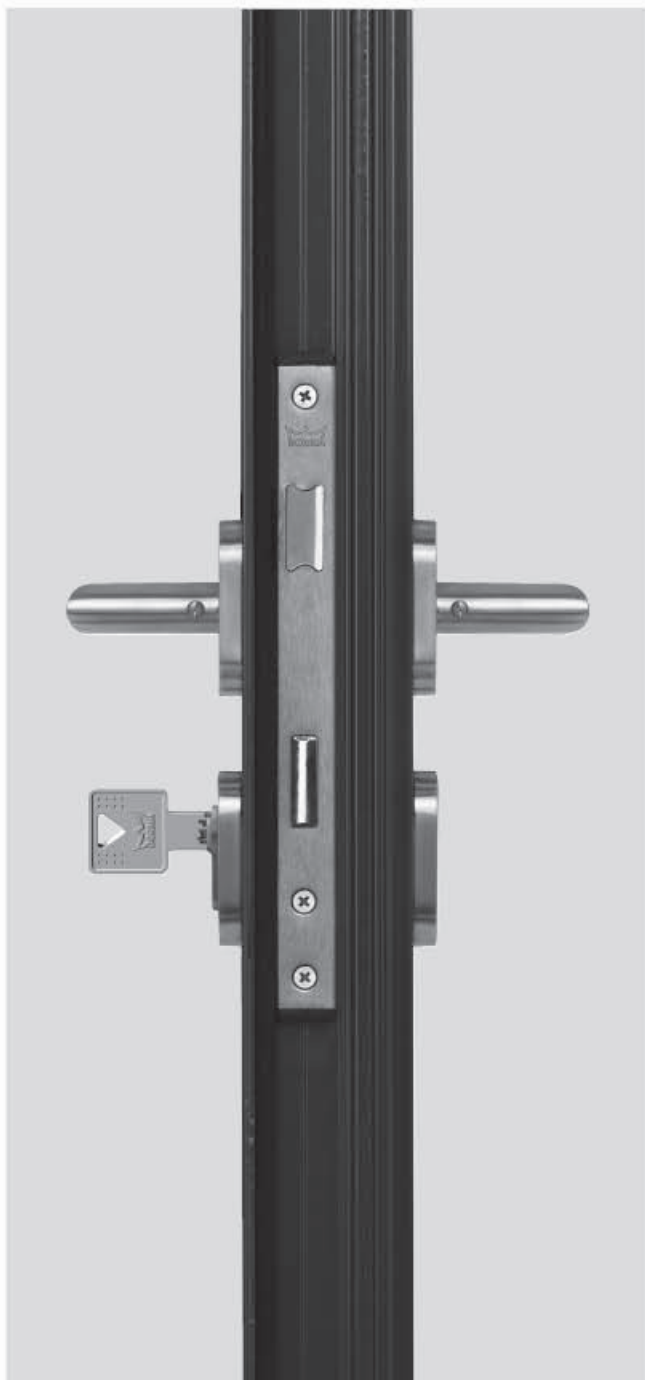
PT DORMA Far East (Indonesia)  
Tel : +62 21 2930 3762  
Fax : +62 21 2930 3763







Mortice Locks



DORMA lock series 300  
DORMA lever handle PREMIUM 8906

Contents	
	Page
<b>Mortice locks 300</b> Benefits / Features	3
<b>Mortice locks 300</b> Classification EN 12209 / Lock details	4
<b>Mortice locks 300</b> Handing	5
<b>Mortice locks 300</b> Application	5
<b>Mortice locks 300</b> Summary	6
<b>Mortice locks 300 CE</b> Premier	7
<b>Mortice locks 300</b> Project	15
<b>Strike plates</b>	21
<b>DORMA locks</b> Compatibility	22
<b>Specification text</b> 300 CE, 300	23

# DORMA MORTICE LOCKS – A COMPLETE RANGE OF HIGH QUALITY PRODUCTS

Locks from DORMA offer the very highest standard of quality and functional reliability. With the use of high-grade materials, precise production techniques and a comprehensive

quality management system, all DORMA locks meet demanding technical specifications. Additionally, locks conforming to the technical requirements of DIN 18251 and EN 12209 also offer unbeatable ease

of use and security features. Locks from DORMA are also offered as a set. The package contains the Mortice lock with screws and strike plate.

**Further information, specification texts**  
Additional information, e.g. specification texts, drawings, and installation instructions on many products, can be accessed via electronic media (Internet).

## Benefits at a glance

### For the architect

- The high quality satin stainless steel surface finish satisfies very high demands with respect to the appearance of the door furniture.

### For the trade

- The package contains the Mortice lock with screws and strike plate
- Non-handed lock version to reduce storage space
- Identical fixing screws for lock and strike plate simplify material management
- Having been assigned category of use grade 3 per EN 12209 the locks can also

- be reliably installed in buildings subject to heavy pedestrian traffic frequencies
- Optimated processes because DORMA locks and fittings are from one hand
- Not provided for fire-rated doors in Germany
- All the DORMA Mortice locks have following variations:
 

backset	55 mm
	60 mm
	65 mm
	70 mm
	80 mm
forend	20 mm, square
	20 mm, rounded
	24 mm, square
	24 mm, rounded

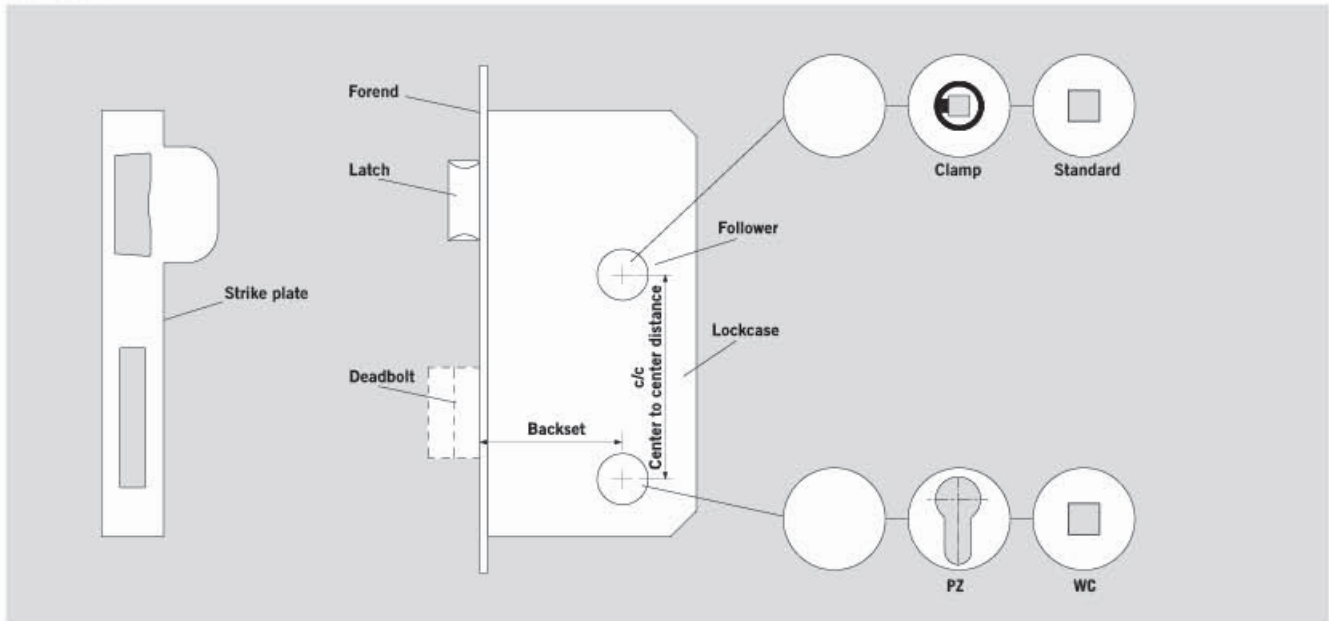
### For the installer

- DORMA locks offer their precision by a simple, compatible assembling in standard door cuts.
- DORMA locks have consistently uniform sizes each and are interchangeable, also between each series.
- DORMA locks can be used universally by changing the latch handing, without using a tool.
- DORMA locks achieve a long life because of a robust maintenance-free lock mechanism, even under difficult operating conditions.
- DORMA locks can be commonly used with standard fittings, e.g. standard lever handles, profile cylinders, roses/escutcheons/backplates etc.
- DORMA locks are subject to strict quality requirements and are tested and certified according to EN 12209. For applications with increased security requirements the locks are tested and certified in accordance with national and international standards.

Features	300 CE Premier	300 Project
Grade EN 12209	3	3
CE	●	–
DIN 18251-1	●	●
Door Application for:	Public	Public
Latch handing	Reversible	Reversible
Latch	Satin stainless steel	Satin stainless steel
Follower 8mm	Clamp	Clamp
Follower bearing	Steel bushes	Steel bushes
Dead bolt	Satin stainless steel	Satin stainless steel
Fixing holes	Bushed	Bushed
Forend	Screwed	Screwed
Forend SSS	AISI 316	AISI 316

● Yes – No

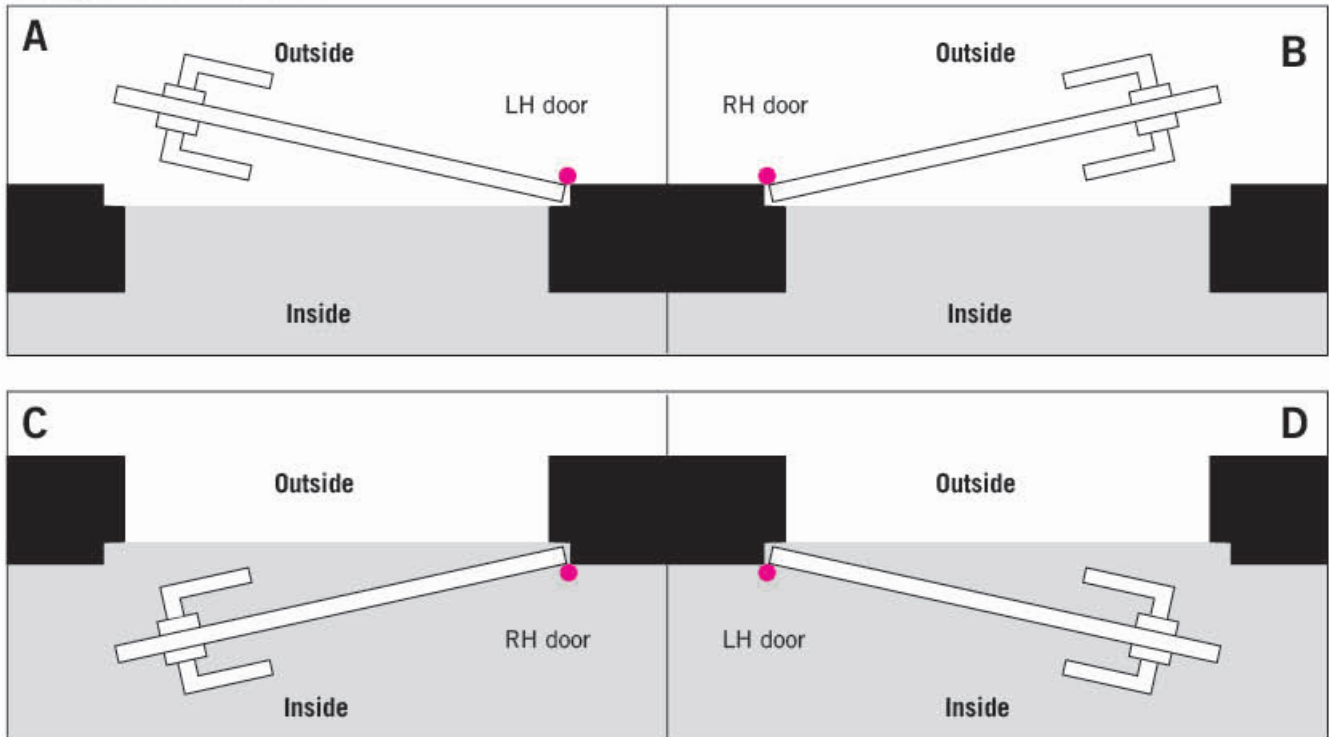
Lock details



Example Classification code to EN 12209 for the 381 CE lock

Mortice locks 381	3	X	8	1	0	G	6	B	C	2	0
<b>Category of use</b> e.g. doors in public buildings											
<b>Durability</b> 200.000 cycl./120 N load on latch bolt											
<b>Door Mass</b> upto 200 kg, closing force 15 N											
<b>Fire / smoke doors</b> approved / 90 min											
<b>Safety</b> no requirements											
											<b>Key identification</b> no requirement
											<b>Type of spindle operation</b> for unsprung lever handle
											<b>Key operation and locking</b> Cylinder manually with intermediate
											<b>Door application</b> Hinged door
											<b>Security-drill resistance</b> very high security no drill resistance
											<b>Corrosion resistance</b> very high resistance, NSS 120 h, -20 °C to +80 °C

Handing data for entrance door sets



Application with DORMA Beschlagtechnik lever handles

DORMA locks are prepared to be used with the DORMA Beschlagtechnik Premium, Plus and Pure ranges.



Premium for Projects with high demands on function and design

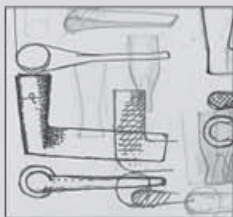


Plus for functional doors



Pure for standard doors

**CR  
EA  
TE**



Giving shape to an idea.  
Please do not hesitate to contact us.



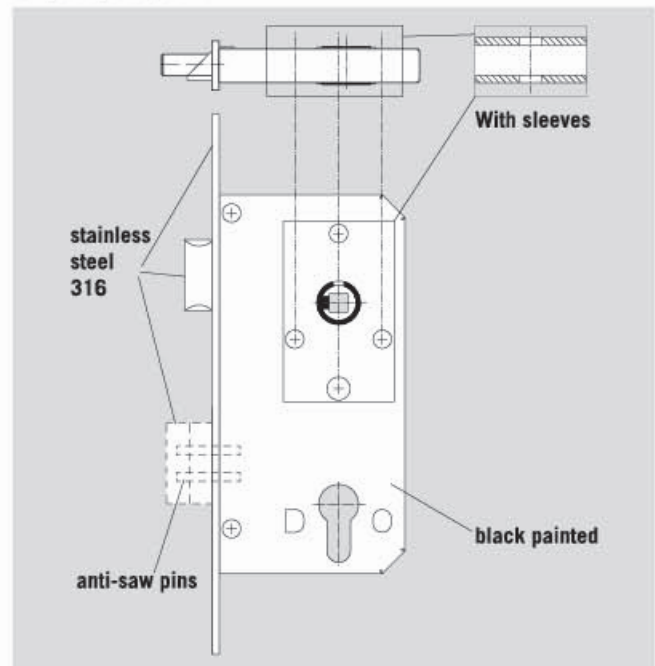
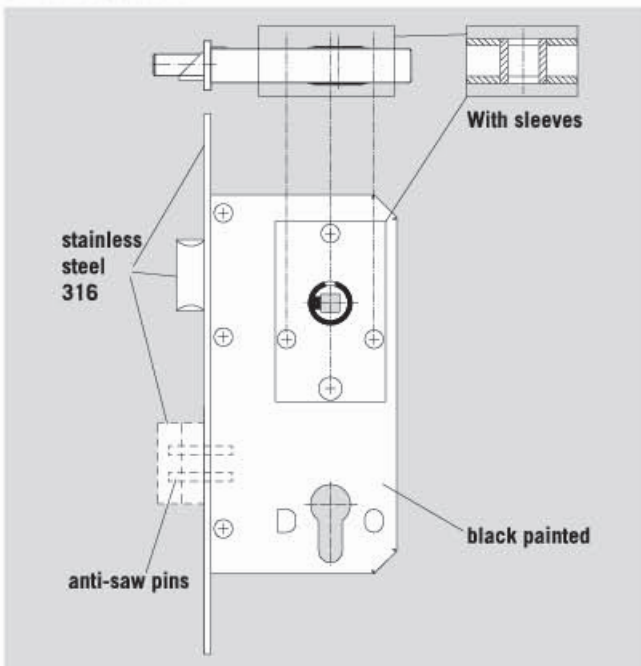
PREMIER series 300 CE		381	385	388	389	391	392	393	394
Latch type standard		●	●	-	●	antithrust	antithrust	classroom	●
Latch retractable	by handle	●	●	-	●	●	●	●	●
	by cylinder	●	-	-	-	●	-	-	●
Dead bolt	double throw 20 mm	●	-	●	-	●	-	-	●
	single throw 10 mm	-	●	-	-	-	-	-	-
Dead bolt operable	by cylinder EPC	●	-	●	-	●	-	-	●
	by thumbturn	-	●	-	-	-	-	●	-
Centers	72 mm	●	-	●	●	●	●	●	-
	78 mm	-	●	-	-	-	-	-	-
	85 mm	-	-	-	-	-	-	-	●
Backset		55-80	55-80	55-80	55-80	55-80	55-80	55-60	45
Forend	20 mm rounded / square	● / ●	● / ●	● / ●	● / ●	● / ●	● / ●	● / ●	● / ●
	24 mm rounded / square	● / ●	● / ●	● / ●	● / ●	● / ●	● / ●	● / ●	● / ●
More information on page:		7	8	9	10	11	12	13	14

PROJECT series 300		371	375	378	379	332
Latch type standard		●	●	-	●	roller
Latch retractable	by handle	●	●	-	●	-
	by cylinder	●	-	-	-	-
Dead bolt	double throw 20 mm	●	-	●	-	●
	single throw 10 mm	-	●	-	-	-
Dead bolt operable	by cylinder EPC	●	-	●	-	●
	by thumbturn	-	●	-	-	-
Centers	72 mm	●	-	●	●	●
	78 mm	-	●	-	-	-
Backset		55-80	55-80	55-80	55-80	55-80
Forend	20 mm rounded / square	● / ●	● / ●	● / ●	● / ●	● / -
	24 mm rounded / square	● / ●	● / ●	● / ●	● / ●	- / ●
More information on page:		15	16	17	18	19

● Yes - No

Series 300/300 CE

391, 392, 393, 394



# MORTICE LOCK 381

Locks for interior and exterior doors, e.g. in office buildings

## Features

Grade 3 – EN 12209

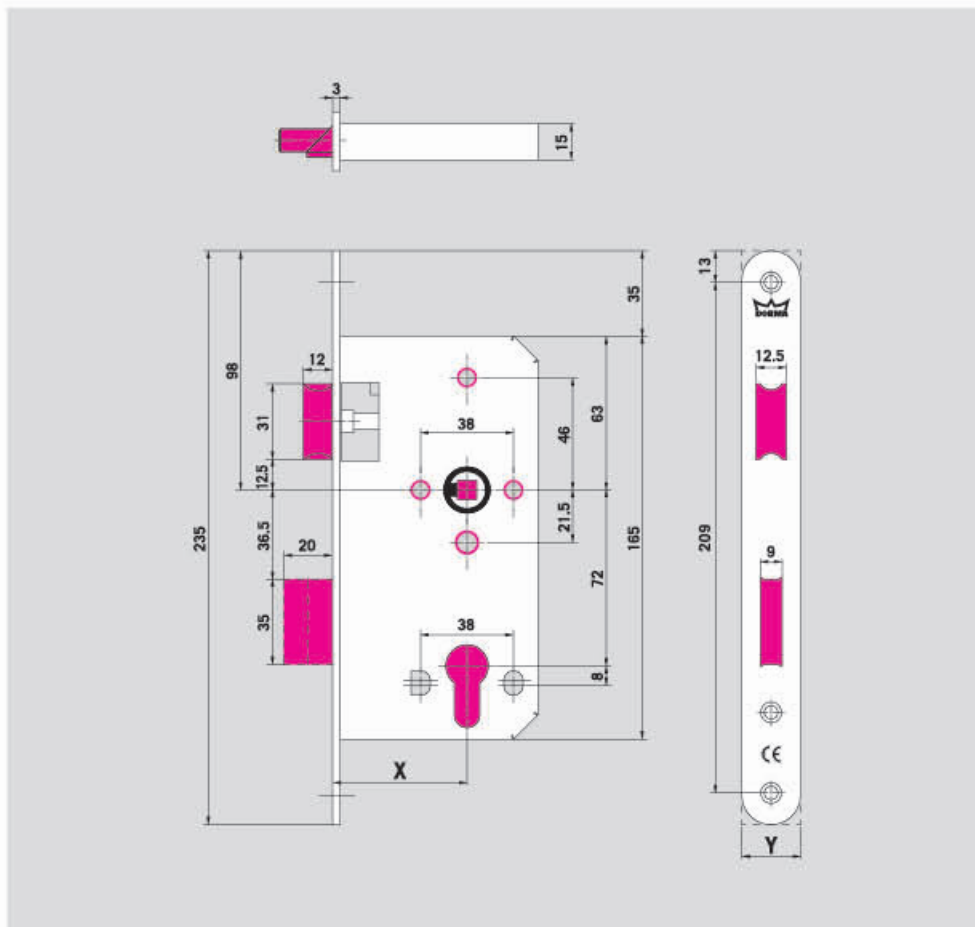
approved for fire-rated doors with CE certificate

- Lock case size DIN 18251-1, closed case with sleeves, zinc plated, black painted
- lock case prepared for Euro profile cylinder (DIN 18252) and standard fittings
- latch handing is reversible
- latch and dead bolt, stainless steel, satin
- Security dead bolt with hardened anti-saw pins
- clamp follower, stainless steel, 8 mm square hole, with separate bush bearing
- centred forend, satin stainless steel 1.4401 / AISI 316

Recommended Strike plate: 20 side: non-handed

## Classification EN 12209

3	X	8	1	0	G	6	B	C	2	0
---	---	---	---	---	---	---	---	---	---	---



## Possible variation

### Backset: X

- 55 mm
- 60 mm
- 65 mm
- 70 mm
- 80 mm

### Dimension of forend: Y

- square 20 mm
- 24 mm
- rounded 20 mm
- 24 mm



DORMA locks are prepared to be used with the levers of DORMA Beschlagtechnik

# MORTICE LOCK 385

Locks for bathroom doors, e.g. in public buildings

### Features

Grade 3 – EN 12209

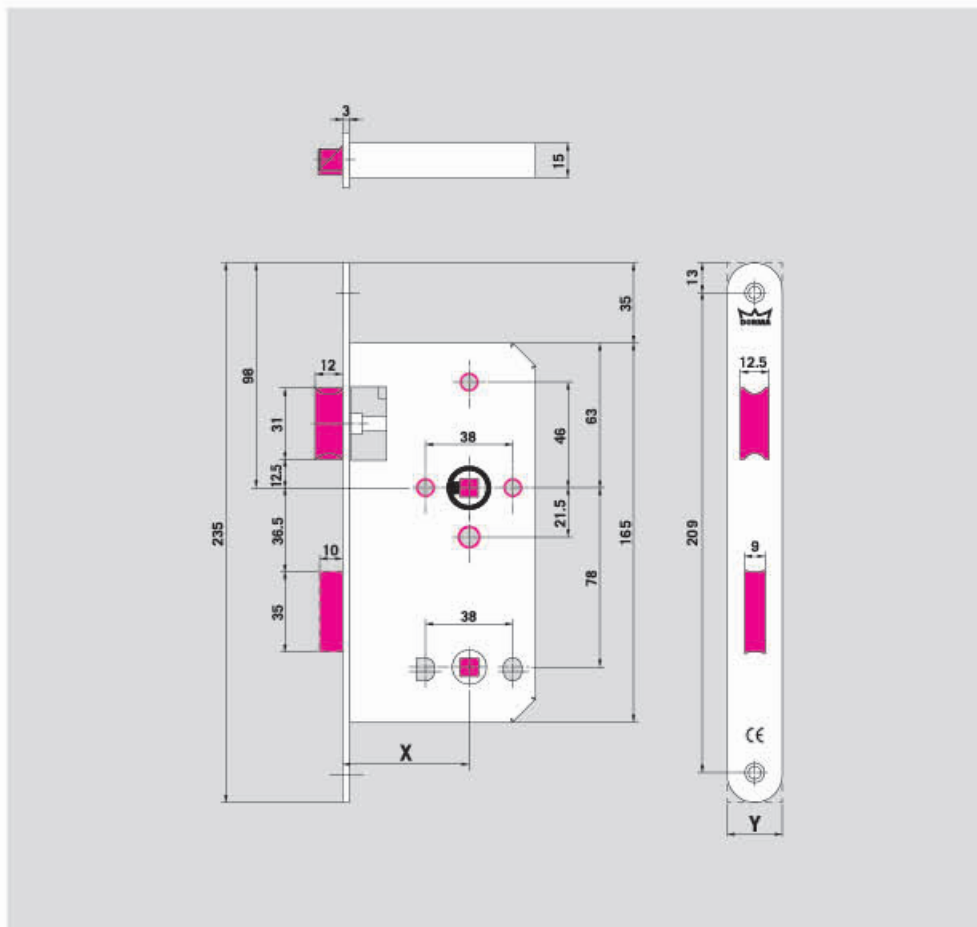
approved for fire-rated doors with CE certificate

- Lock case size DIN 18251-1, closed case with sleeves, zinc plated, black painted
- lock case prepared for thumbturn and standard fittings
- latch handing is reversible
- latch and dead bolt, stainless steel, satin
- Security dead bolt with hardened anti-saw pins
- clamp follower, stainless steel, 8 mm square hole, with separate bush bearing and 8 mm bathroom follower
- centred forend, satin stainless steel 1.4401 / AISI 316

Recommended Strike plate: 20      side: non-handed

### Classification EN 12209

3	X	8	1	0	G	6	B	G	2	0
---	---	---	---	---	---	---	---	---	---	---



### Possible variation

#### Backset: X

- 55 mm
- 60 mm
- 65 mm
- 70 mm
- 80 mm

#### Dimension of forend: Y

- square 20 mm
- 24 mm
- rounded 20 mm
- 24 mm



DORMA locks are prepared to be used with the levers of DORMA Beschlagtechnik



# MORTICE LOCK 388

Locks for interior and exterior doors, e.g. in public buildings

## Features

Grade 3 – EN 12209

approved for fire-rated doors with CE certificate

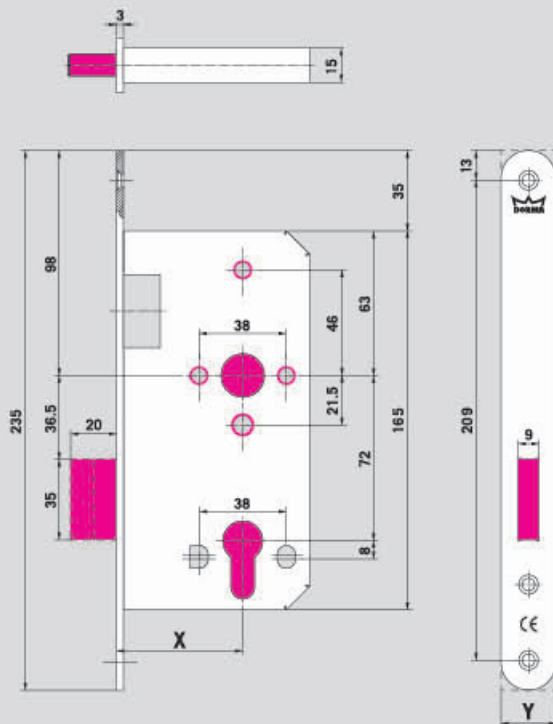
- Lock case size DIN 18251-1, closed case with sleeves, zinc plated, black painted
- lock case prepared for Euro profile cylinder (DIN 18252) and standard fittings
- dead bolt, stainless steel, satin
- Security dead bolt with hardened anti-saw pins
- centred forend, satin stainless steel 1.4401 / AISI 316

Recommended Strike plate: 21      side: non-handed



## Classification EN 12209

3	X	8	1	0	G	6	B	C	2	0
---	---	---	---	---	---	---	---	---	---	---



## Possible variation

### Backset: X

- 55 mm
- 60 mm
- 65 mm
- 70 mm
- 80 mm

### Dimension of forend: Y

- square 20 mm
- 24 mm
- rounded 20 mm
- 24 mm

# MORTICE LOCK 389

Locks for interior and exterior doors, e.g. in public buildings

### Features

Grade 3 – EN 12209

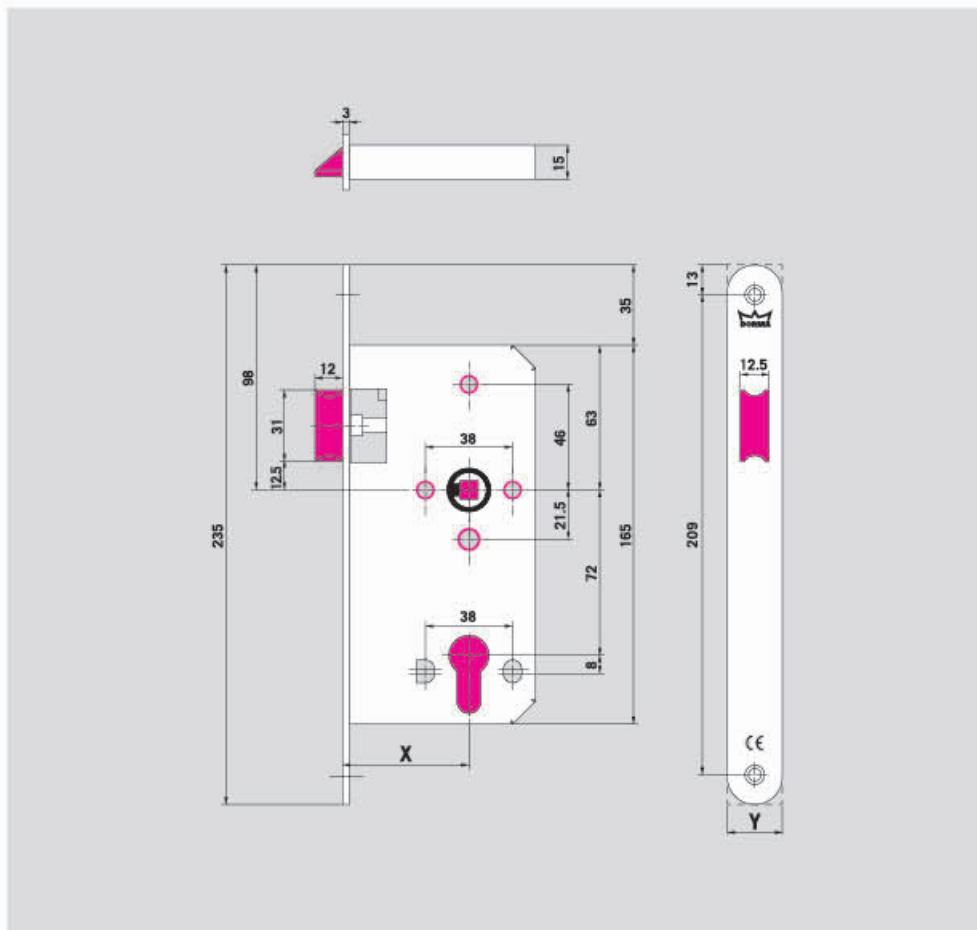
approved for fire-rated doors with CE certificate

- Lock case size DIN 18251-1, closed case with sleeves, zinc plated, black painted
- lock case prepared for standard fittings
- latch handing is reversible
- latch, stainless steel, satin
- clamp follower, stainless steel, 8 mm square hole, with separate bush bearing
- centred forend, satin stainless steel 1.4401 / AISI 316

Recommended Strike plate: 23      side: non-handed

### Classification EN 12209

3	X	8	1	0	G	-	B	0	2	0
---	---	---	---	---	---	---	---	---	---	---



### Possible variation

#### Backset: X

- 55 mm
- 60 mm
- 65 mm
- 70 mm
- 80 mm

#### Dimension of forend: Y

- square 20 mm
- 24 mm
- rounded 20 mm
- 24 mm



DORMA locks are prepared to be used with the levers of DORMA Beschlagtechnik

# MORTICE LOCK 391

Locks for interior and exterior doors, e.g. in office buildings

## Features

Grade 2 – EN 12209

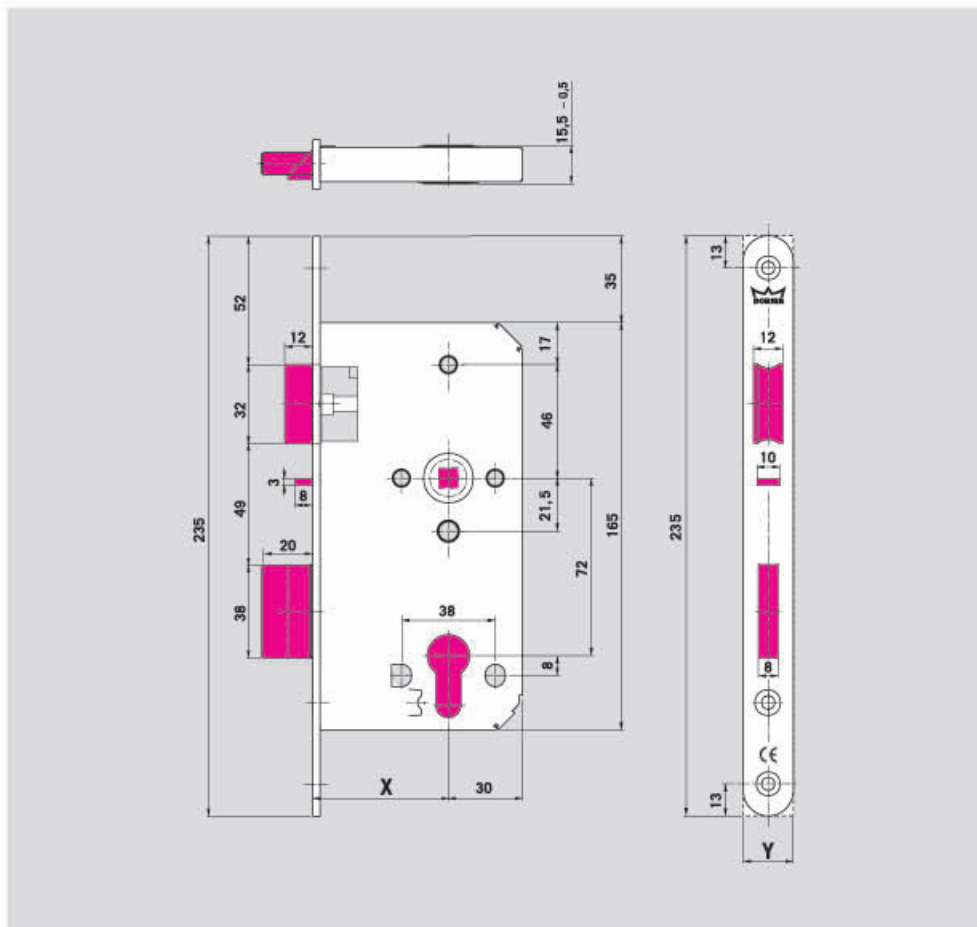
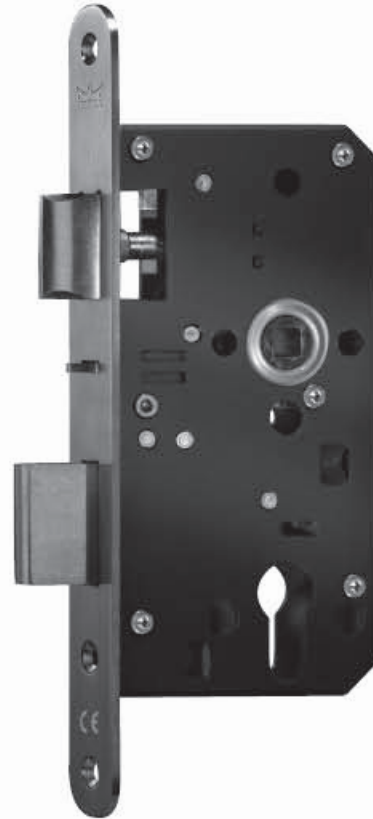
approved for fire-rated doors with CE certificate

- Lock case size DIN 18251-1, closed case, zinc plated, black painted
- lock case prepared for Euro profile cylinder (DIN 18252) and standard fittings
- latch handing is reversible
- anti-thrust latch, with snib
- latch and dead bolt, stainless steel, satin
- Security dead bolt with hardened anti-saw pins
- follower, stainless steel, 8 mm square hole, mounted in drawn steel bushes
- centred forend, satin stainless steel 1.4401 / AISI 316

Recommended Strike plate: 23      side: non-handed

## Classification EN 12209

3	S	8	1	0	G	6	B	C	2	0
---	---	---	---	---	---	---	---	---	---	---



## Possible variation

### Backset: X

- 55 mm
- 60 mm
- 65 mm
- 70 mm
- 80 mm

### Dimension of forend: Y

- square 20 mm
- 24 mm
- rounded 20 mm
- 24 mm



DORMA locks are prepared to be used with the levers of DORMA Beschlagtechnik

# MORTICE LOCK 392 WITH NIGHT LATCH

Locks for interior and exterior doors, e.g. in project buildings

### Features

Grade 3 – EN 12209

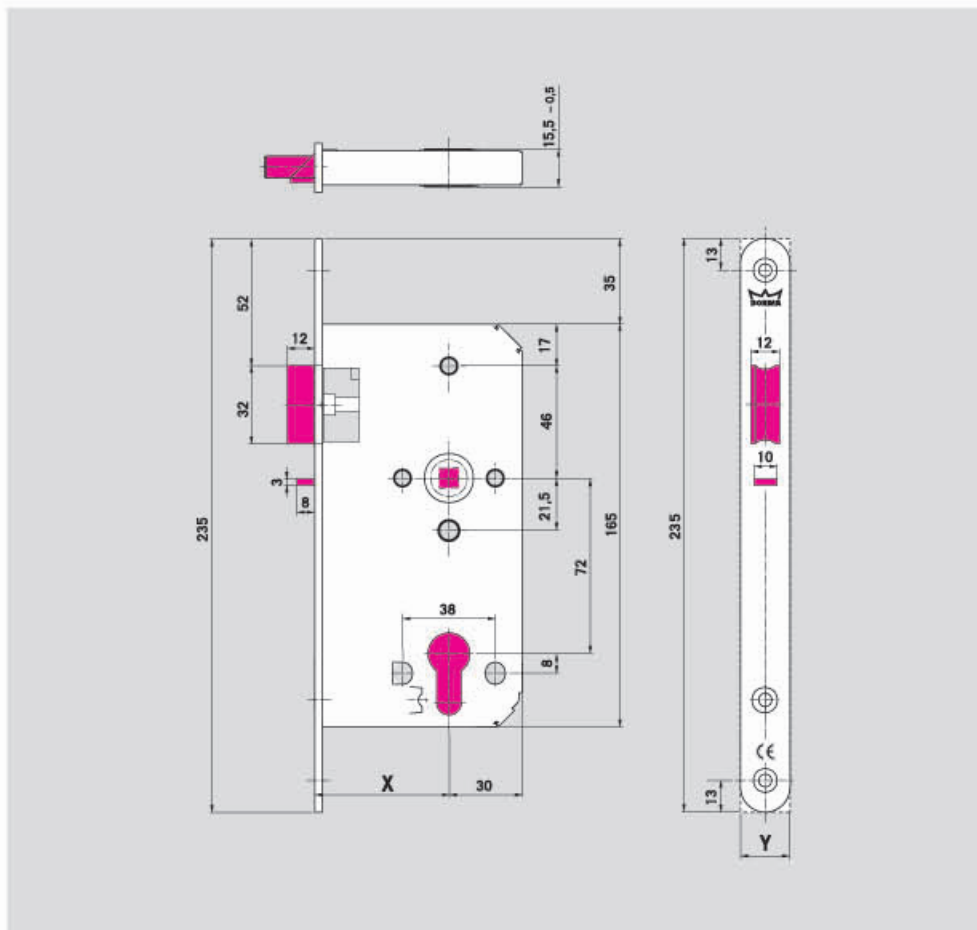
approved for fire-rated doors with CE certificate

- Lock case size DIN 18251-1, closed case, zinc plated, black painted
- lock case prepared for Euro profile cylinder (DIN 18252) and standard fittings
- latch handing is reversible
- anti-trust latch with snib
- latch, stainless steel, satin
- follower, stainless steel, 8 mm square hole, mounted in drawn steel bushes
- centred forend, satin stainless steel 1.4401 / AISI 316

Recommended Strike plate: 23      side: non-handed

### Classification EN 12209

3	S	8	1	0	G	3	B	0	2	0
---	---	---	---	---	---	---	---	---	---	---



### Possible variation

#### Backset: X

- 55 mm
- 60 mm
- 65 mm
- 70 mm
- 80 mm

#### Dimension of forend: Y

- square 20 mm
- 24 mm
- rounded 20 mm
- 24 mm



DORMA locks are prepared to be used with the levers of DORMA Beschlagtechnik

# MORTICE LOCK 393

Locks for classroom doors

## Features

Grade 3 – EN 12209

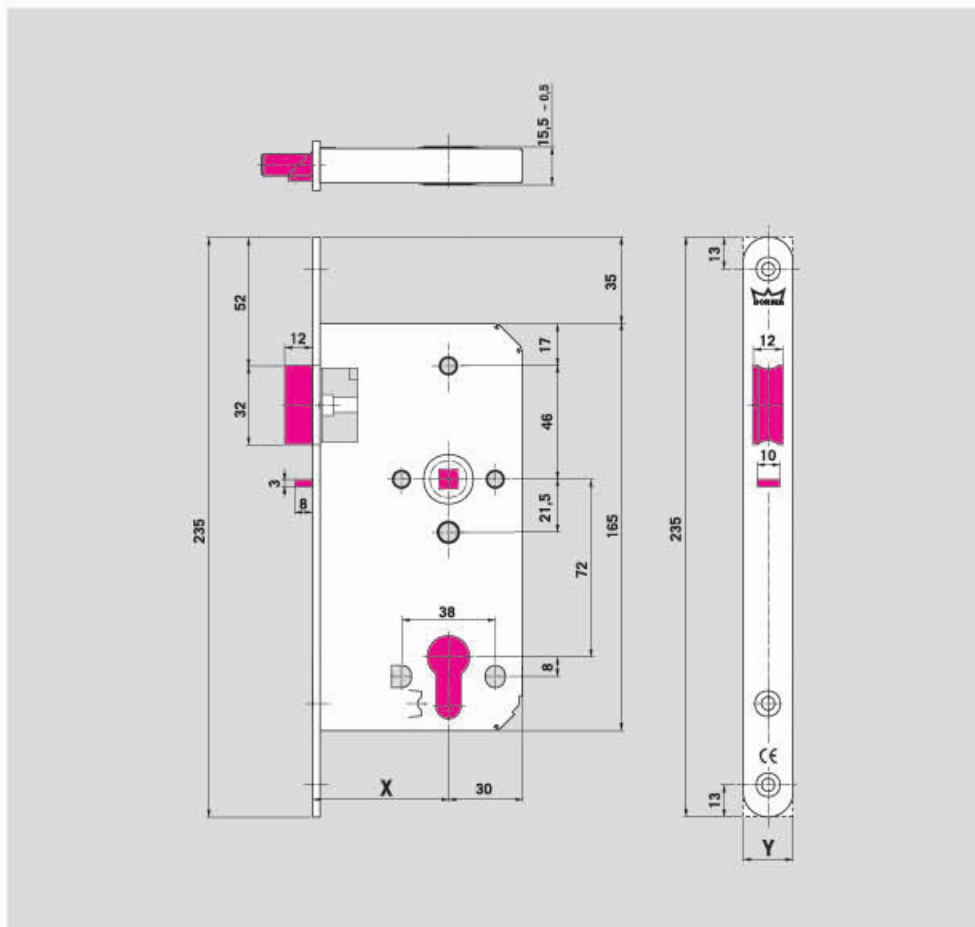
approved for fire-rated doors with CE certificate

- Lock case size DIN 18251-1, closed case, zinc plated, black painted
- lock case prepared for Euro profile cylinder (DIN 18252) and standard fittings
- latch handing is reversible
- anti-trust latch with snib
- latch, stainless steel, satin
- Split follower, stainless steel, 8 mm square hole, mounted in drawn steel bushes, outside follower, lockable by cylinder
- centred forend, satin stainless steel 1.4401 / AISI 316

Recommended Strike plate: 23 side: non-handed

## Classification EN 12209

3	S	8	1	0	G	3	B	0	2	0
---	---	---	---	---	---	---	---	---	---	---



## Possible variation

### Backset: X

- 55 mm
- 60 mm

### Dimension of forend: Y

- square 20 mm
- 24 mm
- rounded 20 mm
- 24 mm



DORMA locks are prepared to be used with the levers of DORMA Beschlagtechnik

# MORTICE LOCK 394

Locks for interior and exterior doors, e.g. in public buildings

### Features

Grade 3 – EN 12209

approved for fire-rated doors with CE certificate

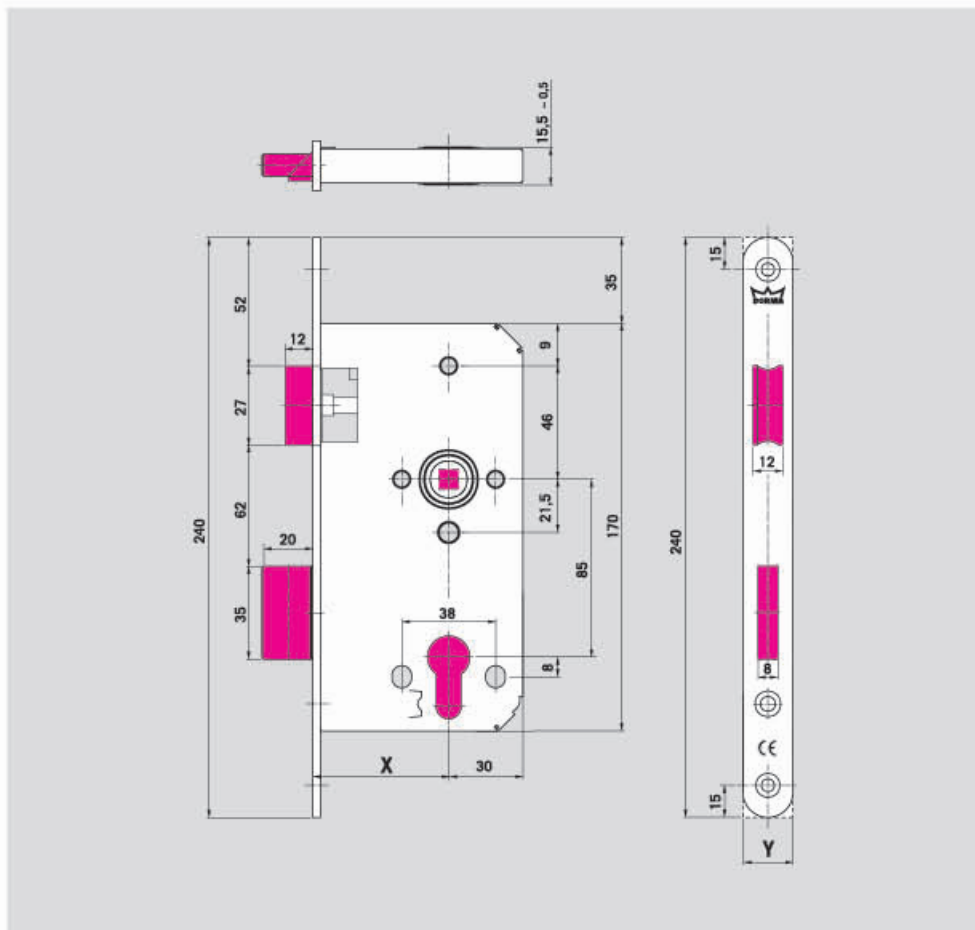
- Lock case size DIN 18251-1, closed case, zinc plated, black painted
- lock case prepared for Euro profile cylinder (DIN 18252) and standard fittings
- latch handing is reversible
- latch and dead bolt, stainless steel, satin
- follower, stainless steel, 8 mm square hole, mounted in drawn steel bushes
- centred forend, satin stainless steel 1.4401 / AISI 316

Recommended Strike plate: 20 side: non-handed



### Classification EN 12209

3	X	8	1	0	G	6	B	C	2	0
---	---	---	---	---	---	---	---	---	---	---



### Possible variation

#### Backset: X

45 mm

#### Dimension of forend: Y

square 20 mm

24 mm

rounded 20 mm

24 mm



DORMA locks are prepared to be used with the levers of DORMA Beschlagtechnik

# MORTICE LOCK 371

Locks for interior and exterior doors, e.g. in public buildings

## Features

Grade 3 – EN 12209

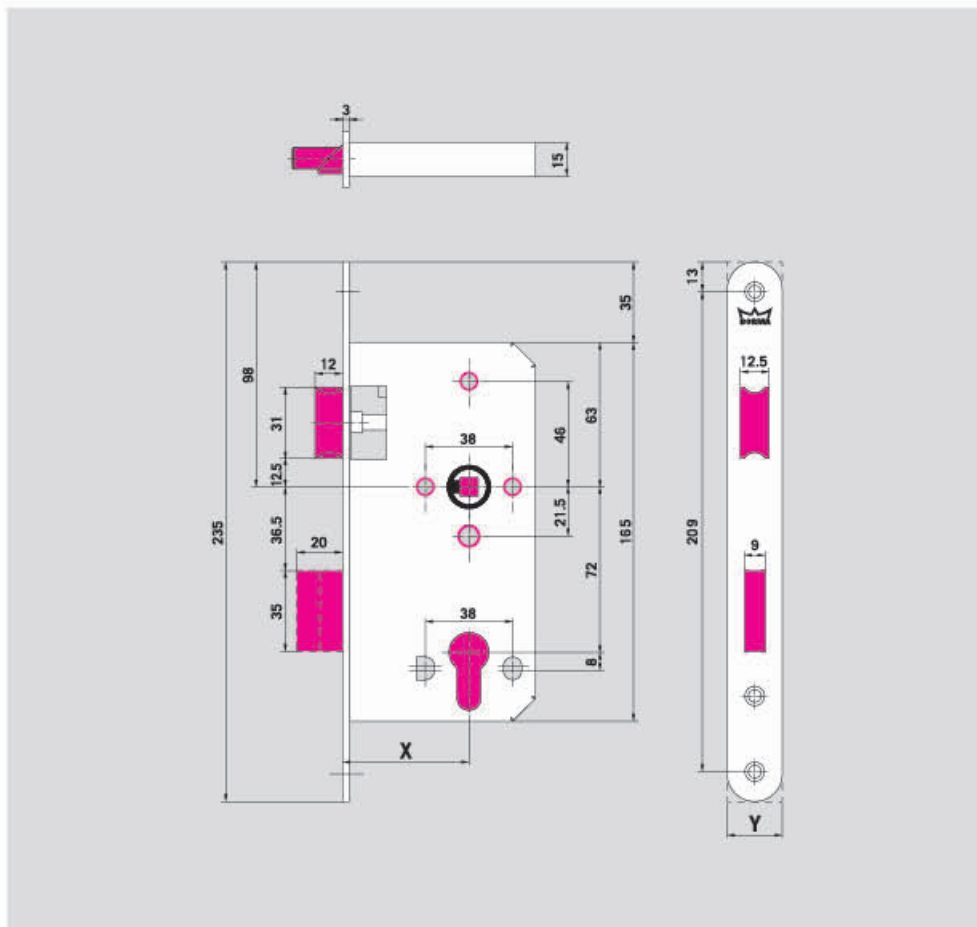
- Lock case size DIN 18251-1, closed case with sleeves, zinc plated, black painted
- lock case prepared for Euro profile cylinder (DIN 18252) and standard fittings
- latch handing is reversible
- latch and dead bolt, stainless steel, satin
- Security dead bolt with hardened anti-saw pins
- clamp follower, stainless steel, 8 mm square hole, with separate bush bearing
- centred forend, satin stainless steel 1.4401 / AISI 316

Recommended Strike plate: 20 side: non-handed



## Classification EN 12209

3	X	8	0	0	G	6	B	C	2	0
---	---	---	---	---	---	---	---	---	---	---



## Possible variation

### Backset: X

- 55 mm
- 60 mm
- 65 mm
- 70 mm
- 80 mm

### Dimension of forend: Y

- square 20 mm
- 24 mm
- rounded 20 mm
- 24 mm



DORMA locks are prepared to be used with the levers of DORMA Beschlagtechnik

# MORTICE LOCK 375

Locks for bathroom doors, e.g. in public buildings

### Features

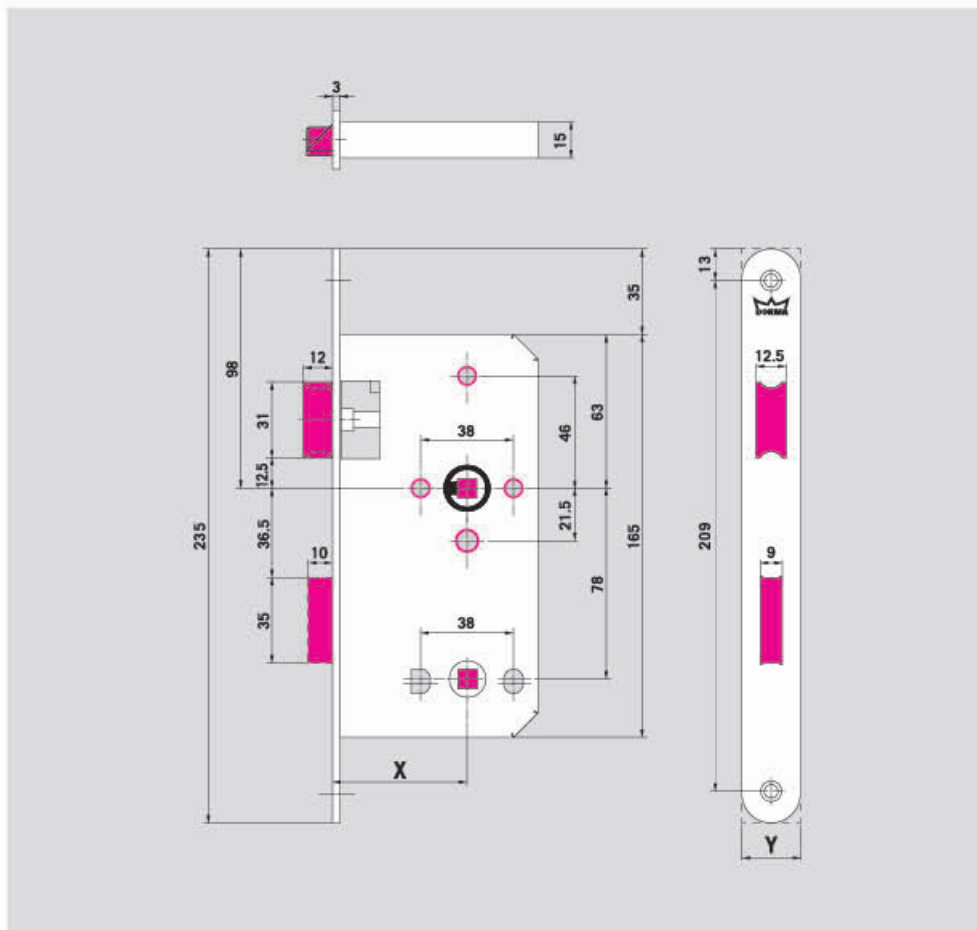
Grade 3 – EN 12209

- Lock case size DIN 18251-1, closed case with sleeves, zinc plated, black painted
- lock case prepared for thumbturn and standard fittings
- latch handing is reversible
- latch and dead bolt, stainless steel, satin
- Security dead bolt with hardened anti-saw pins
- clamp follower, stainless steel, 8 mm square hole, with separate bush bearing, and 8 mm bathroom follower
- centred forend, satin stainless steel 1.4401 / AISI 316

Recommended Strike plate: 20 side: non-handed

### Classification EN 12209

3	X	8	0	0	G	6	B	G	2	0
---	---	---	---	---	---	---	---	---	---	---



### Possible variation

#### Backset: X

- 55 mm
- 60 mm
- 65 mm
- 70 mm
- 80 mm

#### Dimension of forend: Y

- square 20 mm
- 24 mm
- rounded 20 mm
- 24 mm



DORMA locks are prepared to be used with the levers of DORMA Beschlagtechnik



# MORTICE LOCK 378

Locks for interior doors, e.g. in public buildings

## Features

Grade 3 – EN 12209

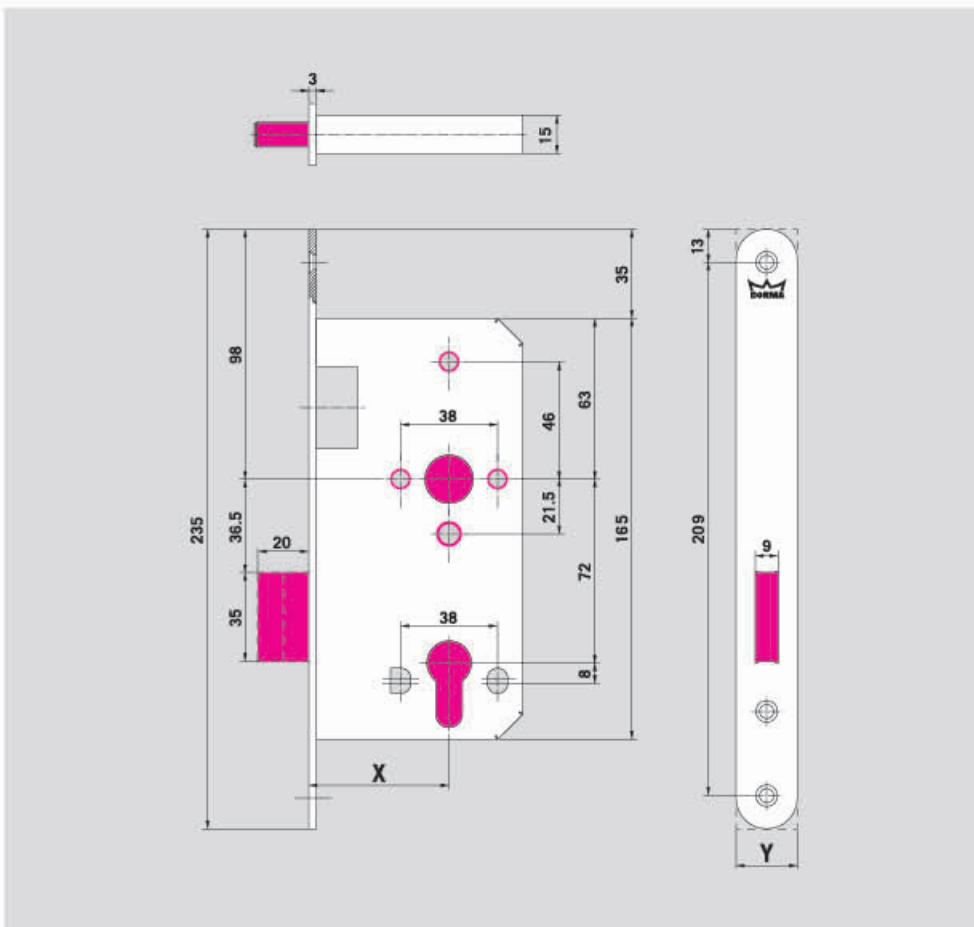
- Lock case size DIN 18251-1, closed case with sleeves, zinc plated, black painted
- lock case prepared for Euro profile cylinder (DIN 18252) and standard fittings
- dead bolt, stainless steel, satin
- Security dead bolt with hardened anti-saw pins
- centred forend, satin stainless steel 1.4401 / AISI 316

Recommended Strike plate: 21 side: non-handed



## Classification EN 12209

3	X	8	0	0	G	6	B	C	2	0
---	---	---	---	---	---	---	---	---	---	---



## Possible variation

### Backset: X

- 55 mm
- 60 mm
- 65 mm
- 70 mm
- 80 mm

### Dimension of forend: Y

- square 20 mm
- 24 mm
- rounded 20 mm
- 24 mm



DORMA locks are prepared to be used with the levers of DORMA Beschlagtechnik

# MORTICE LOCK 379

Locks for interior and exterior swing doors, e.g. in public buildings

### Features

Grade 3 – EN 12209

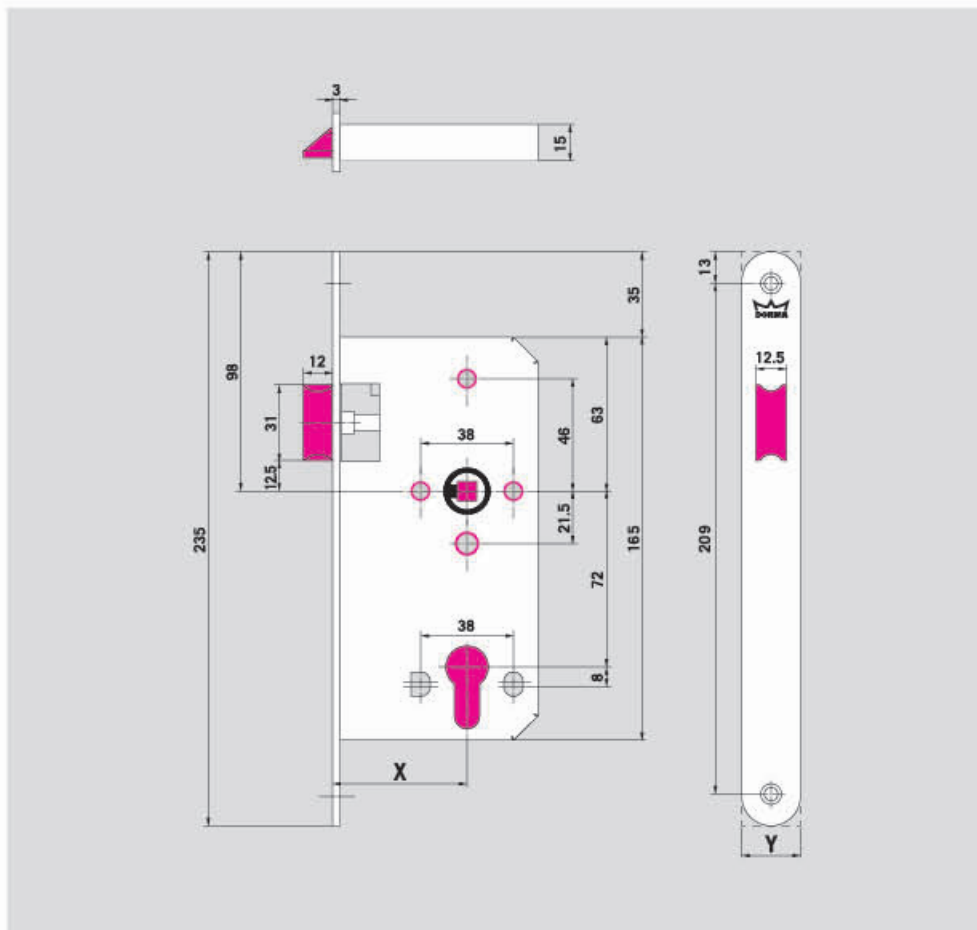
- Lock case size DIN 18251-1, closed case with sleeves, zinc plated, black painted
- lock case prepared for standard fittings
- latch handing is reversible
- latch, stainless steel, satin
- clamp follower, stainless steel, 8 mm square hole, mounted in drawn steel bushes
- centred forend, satin stainless steel 1.4401 / AISI 316, changeable

Recommended Strike plate: 23 side: non-handed



### Classification EN 12209

3	X	8	0	0	G	-	B	0	2	0
---	---	---	---	---	---	---	---	---	---	---



### Possible variation

#### Backset: X

- 55 mm
- 60 mm
- 65 mm
- 70 mm
- 80 mm

#### Dimension of forend: Y

- square 20 mm
- 24 mm
- rounded 20 mm
- 24 mm



DORMA locks are prepared to be used with the levers of DORMA Beschlagtechnik

# MORTICE LOCK 332

Locks for interior and exterior swing doors, e.g. in office buildings

## Features

Grade 3 – EN 12209

approved for fire-rated doors

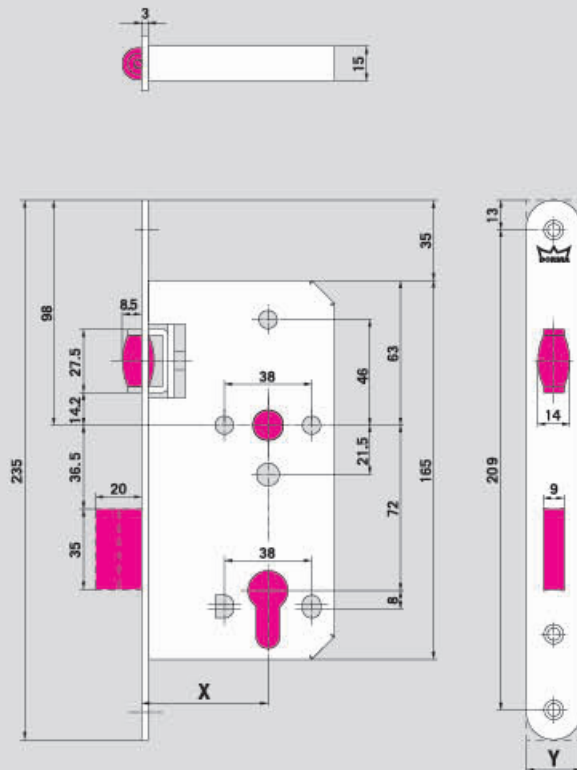
- Lock case size DIN 18251-1, closed case, zinc plated, black painted
- lock case prepared for Euro profile cylinder (DIN 18252) and standard fittings
- Roller latch and dead bolt, stainless steel, satin
- centred forend, satin stainless steel 1.4401 / AISI 316, changeable

Recommended Strike plate: 27      side: non-handed



## Classification EN 12209

3	S	6	0	0	G	3	B	C	0	0
---	---	---	---	---	---	---	---	---	---	---



## Possible variation

### Backset: X

- 55 mm
- 60 mm
- 65 mm
- 70 mm
- 80 mm

### Dimension of forend: Y

- square 20 mm
- 24 mm
- rounded 20 mm
- 24 mm

## HIGHLIGHTS OF THE 300 SERIES

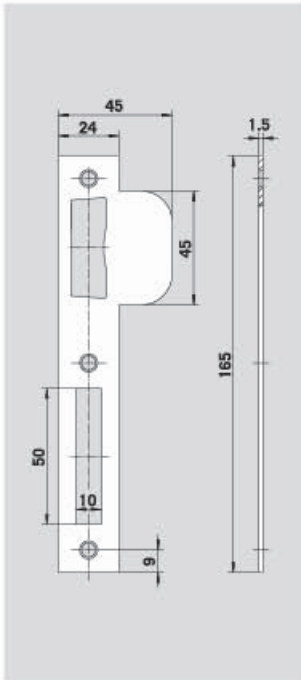
300 CE 300		
Category of use Grade EN 12209	3	3
CE	●	-
Lock case size DIN 18251-1	●	●
Door application for	Public	Public
Latch handing	Reversible	Reversible
Latch	Satin stainless steel	Solid metal nickel plated
Follower, 8mm	Clamp	Clamp
Follower bearing	with seperate bush bearing	with seperate bush bearing
Deadbolt	Satin stainless steel	Solid metal nickel plated
Dead bolt operable	by Cylinder EPC	●
	by thumbturn	●
Fixing holes	Bushed	Bushed
Forend	Screwed	Screwed
Forend SSS	AISI 316	AISI 316

● Yes – No

- The high quality satin stainless steel surface finish satisfies very high demands with respect to the appearance of the door furniture.
- The package contains the Mortice lock with screws and strike plate
- Non-handed lock version to reduce storage space
- Identical fixing screws for lock and strike plate simplify material management
- Having been assigned category of use grade 3 per EN 12209 the locks can also be reliably installed in buildings subject to heavy pedestrian traffic frequencies
- All the DORMA Mortice locks have following variations:
  - backset 55 mm
  - 60 mm
  - 65 mm
  - 70 mm
  - 80 mm
  - forend 20 mm, square
  - 20 mm, rounded
  - 24 mm, square
  - 24 mm, rounded
- DORMA locks achieve a long life because of a robust maintenance-free lock mechanism, even under difficult operating conditions.
- DORMA locks are prepared to be used with the levers of DORMA Beschlagtechnik

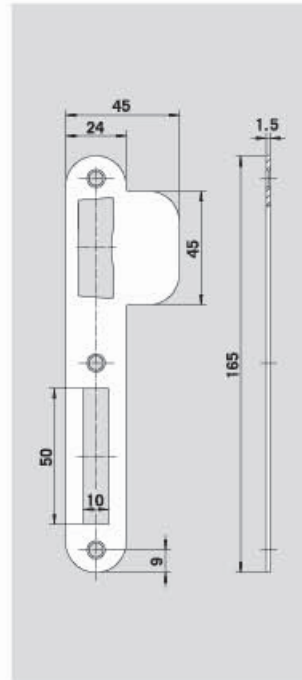
## STRIKE PLATES TYPE 020

Material: satin stainless steel



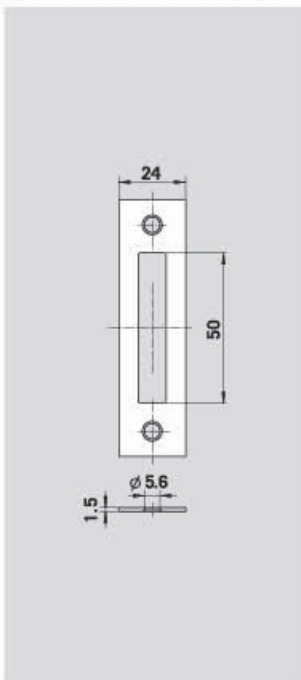
## STRIKE PLATES TYPE 020-1

Material: satin stainless steel



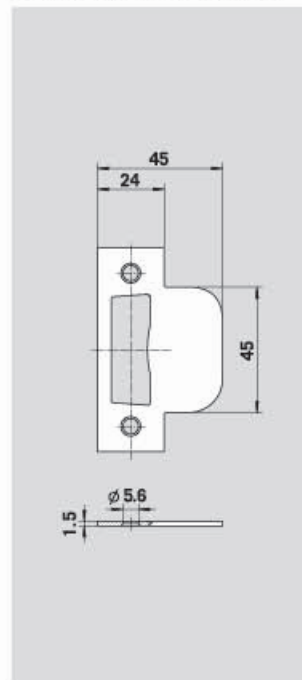
## STRIKE PLATES TYPE 021

Material: satin stainless steel



## STRIKE PLATES TYPE 023

Material: satin stainless steel



## COMPATIBILITY WITH THE PREVIOUS PROGRAM

Locks of the previous program can be easily replaced by the locks of the new program. The dimensions as well as the functions of the two programs are similar.

The figure below shows the compatibility of the two programs.

New program	Previous program
<b>300 CE</b>	
381	151-F
385	191-F
388	132-F
389	115-F
391	210
392	117
394	781
<b>300</b>	
371	151
375	191
378	132
379	115



## DORMA MORTICE CE LOCK – PREMIER

Locks for interior and exterior doors and fire-rated doors, intended for public buildings, Grade 3 – EN 12209, approved for fire-rated doors with CE-certificate, Lock case size DIN 18251-1, Latch handing is reversible, Lock case prepared for standard fittings, closed case, zinc plated, black

Painted, Latch and deadbolt satin stainless steel, Reinforced deadbolt with hardened anti-saw pins, Deadbolt projection double throw 20 mm (bathroom / WC 10 mm), Clamp follower 8 mm, stainless steel, with separate bush bearing, Centred forend, satin stainless steel AISI 316

### Lock type

- Europrofile cylinder with night latch function, 72 mm centres, with sleeves (381)
- Bathroom/WC, for WC knob – 8 mm, 78 mm centres, with sleeves (385)
- Deadbolt lock, Europrofile cylinder, with sleeves (388)
- Latch lock, with sleeves (389)
- Europrofile cylinder, anti-thrust latch and deadbolt, 72 mm centres (391)
- Europrofile cylinder, anti-thrust latch, 72 mm centres (392)
- Europrofile cylinder, anti-thrust latch, split follower, classroom function, 72 mm centres (393)
- Europrofile cylinder, with night latch function, backset 45 mm only, 85 mm centres (394)

Backset:	Forend width	Forend design
<input type="checkbox"/> 55 mm	<input type="checkbox"/> 20 mm	<input type="checkbox"/> Rounded ends
<input type="checkbox"/> 60 mm	<input type="checkbox"/> 24 mm	<input type="checkbox"/> Square ends
<input type="checkbox"/> 65 mm		
<input type="checkbox"/> 70 mm		
<input type="checkbox"/> 80 mm		
<input type="checkbox"/> 85 mm		

## DORMA MORTICE LOCK – PROJECT

Locks for interior and exterior doors, intended for public buildings, Grade 3 – EN 12209, lock case size DIN 18251-1, Latch handing is reversible, Lock case prepared for standard fittings, closed case with sleeves, zinc plated, black painted, Latch and deadbolt

Satin stainless steel, Reinforced deadbolt with hardened anti-saw pins, Deadbolt projection double throw 20 mm (bathroom / WC 10 mm), Clamp follower 8 mm, stainless steel, with separate bush bearing, Centred forend, satin stainless steel AISI 316

### Lock type

- Europrofile cylinder with night latch function, 72 mm centres (371)
- Bathroom/WC, for WC knob – 8 mm, 78 mm centres (375)
- Deadbolt lock, Europrofile cylinder (378)
- Latch lock (379)

Backset:	Forend width	Forend design
<input type="checkbox"/> 55 mm	<input type="checkbox"/> 20 mm	<input type="checkbox"/> Rounded ends
<input type="checkbox"/> 60 mm	<input type="checkbox"/> 24 mm	<input type="checkbox"/> Square ends
<input type="checkbox"/> 65 mm		
<input type="checkbox"/> 70 mm		
<input type="checkbox"/> 80 mm		



DORMA Far East Pte. Ltd.  
Singapore  
31 Gul Lane  
Singapore 629425  
Tel : +65 6268 7633  
Fax : +65 6265 7995  
+65 6459 0137  
[www.dorma.com.sg](http://www.dorma.com.sg)  
Co. Reg. No. 1981-03135-W

Taiwan  
Tel : +886 2 2709 6611  
Fax : +886 2 2709 9911

Thailand  
Tel : +66 2 236 4994/5/6  
Fax : +66 2 236 4997

Vietnam  
Tel : +84 8 62 888 748  
Fax : +84 8 62 888 701

DORMA Korea Inc.  
Tel : +82 31 776 0051  
Fax : +82 31 776 0054

DORMA Hueppe Asia (Malaysia)  
Tel : +60 7 5985 730  
Fax : +60 7 5985 729

DORMA Far East Sdn. Bhd. (Malaysia)  
Tel : +603 7665 1683  
Fax : +603 7665 1680

DORMA Philippines Corp.  
Tel : +63 2 893 4078  
Fax : +63 2 845 1108

PT DORMA Far East (Indonesia)  
Tel : +62 21 2930 3762  
Fax : +62 21 2930 3763





**DORMA**

**Stainless Steel  
Lever Handles**



## DORMA STAINLESS STEEL LEVER HANDLES

DORMA's stainless steel lever handles come in two different series – SH Series and TH Series – and a wide selection of contemporary designs. Both Series are finished to exacting standards, which have been the hallmark of all DORMA products.

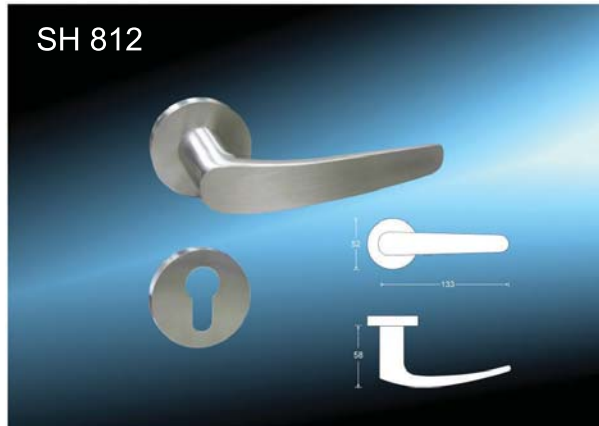
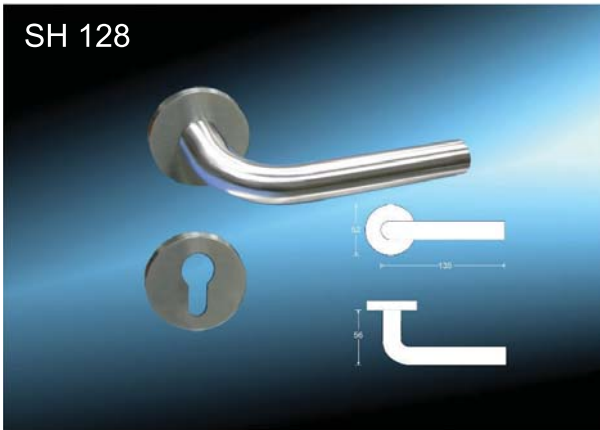
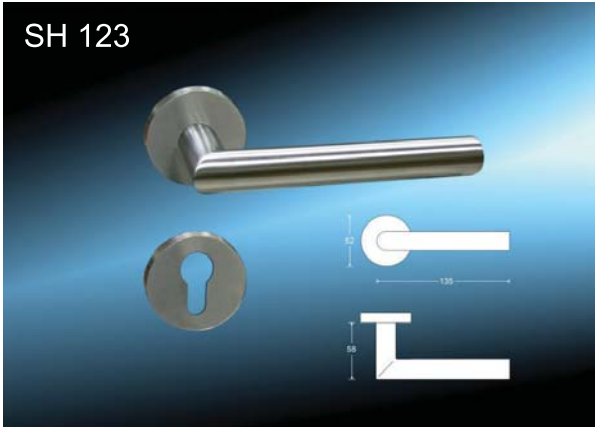
The SH Series is a collection of solid lever handles in 316 satin stainless steel, whilst the TH Series is a collection of tubular lever handles in 304 satin stainless steel.

Both series come complete with fixing accessories, including escutcheons and roses, and are designed for secure through-bolt fixings. The clip-on cover plates conceal the through-bolt fixings and spindle bushing, thereby ensuring a neat and elegant appearance of the installed lever handles. A spring-cassette system, which is a standard recommendation for the SH Series, ensures that the installed lever handles do not sag under heavy use. This system is optional for the TH Series in view of its lighter weight.

Other key features of DORMA's stainless steel lever handles:

- Quick and easy assembly.
- Suitable for door thicknesses up to 55mm.
- Suitable for use on most types of mortise locks.
- Suitable for use on all types of fire doors.
- A special 4mm thick rose is available for use with the non-spring-loaded escutcheon.
- The standard rose, which is 8 mm thick, is a must for the spring-cassette system.

# SH SERIES



# SH SERIES

SH 813



SH 814



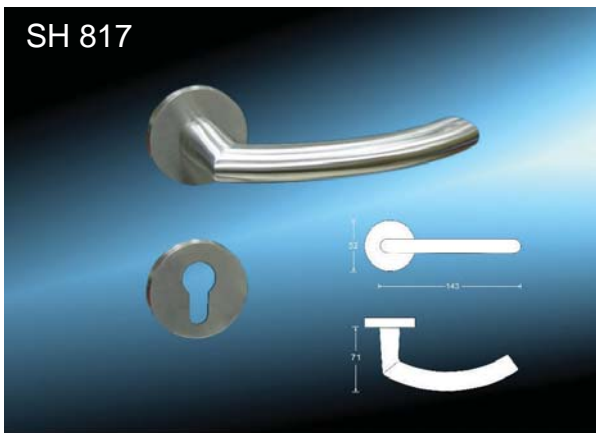
SH 815



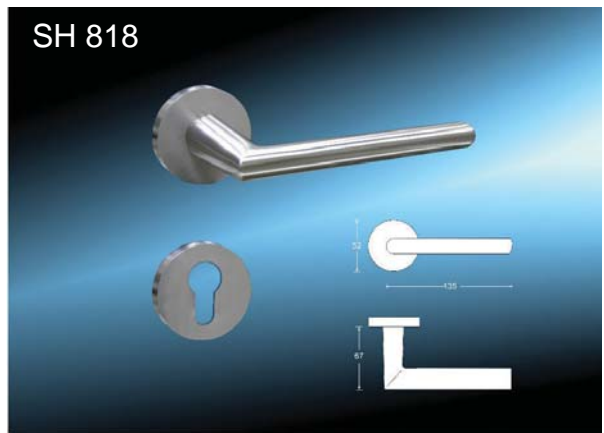
SH 816



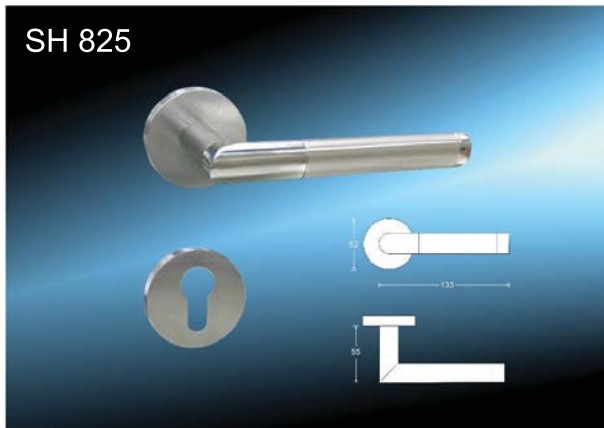
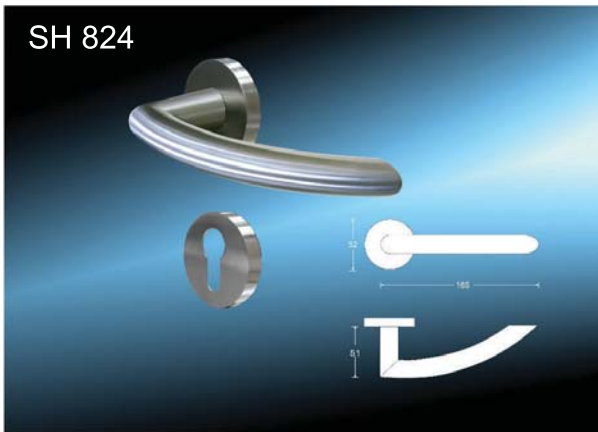
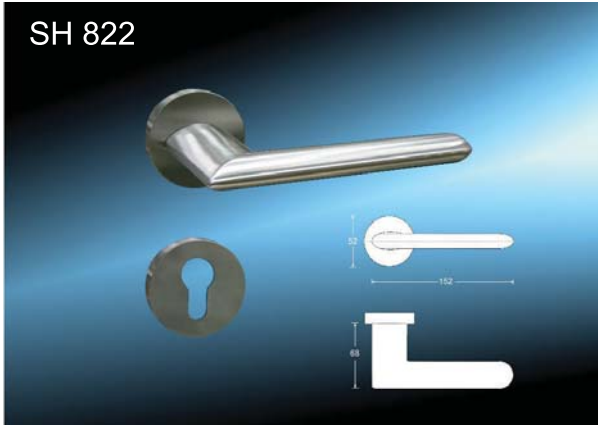
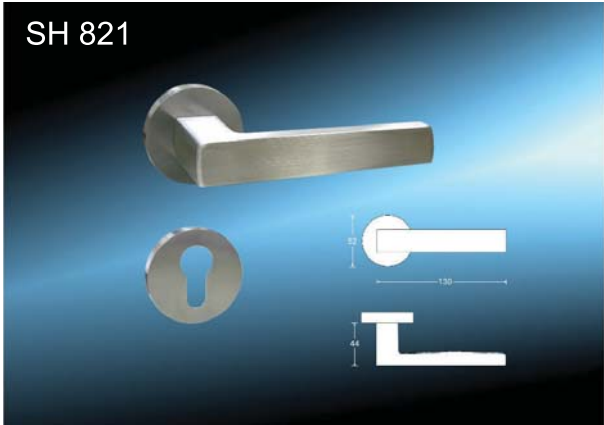
SH 817



SH 818

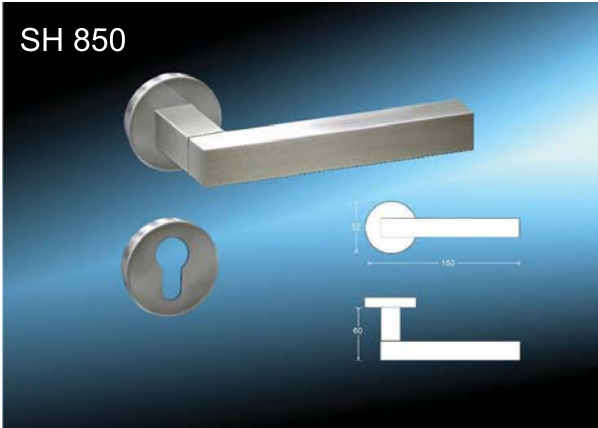


# SH SERIES



# SH SERIES

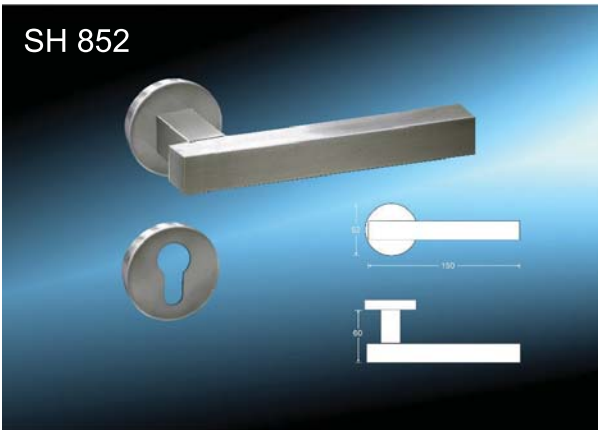
SH 850



SH 851



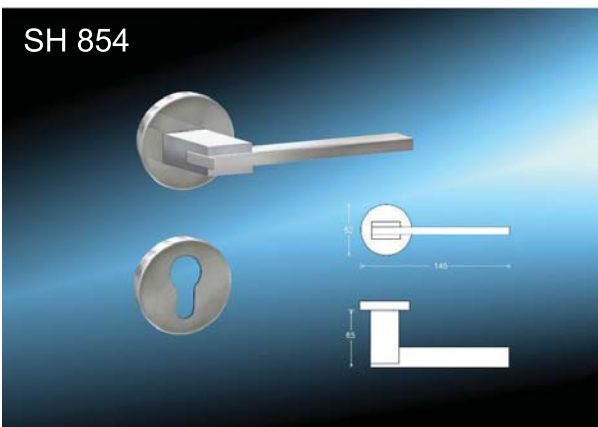
SH 852



SH 853



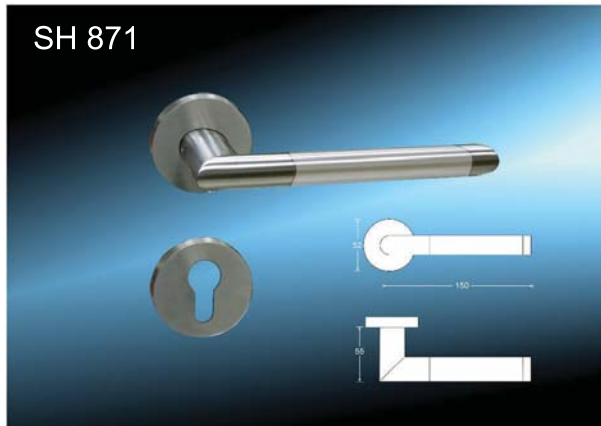
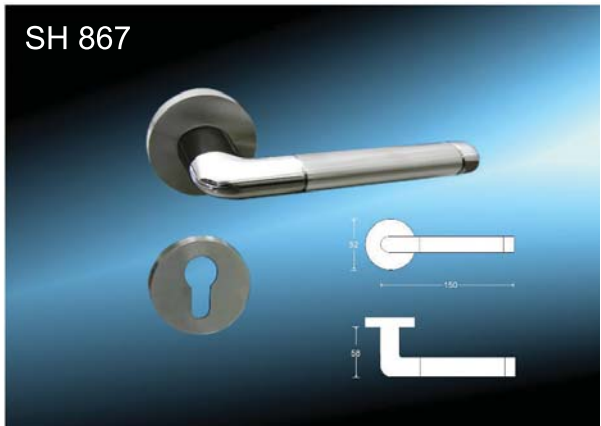
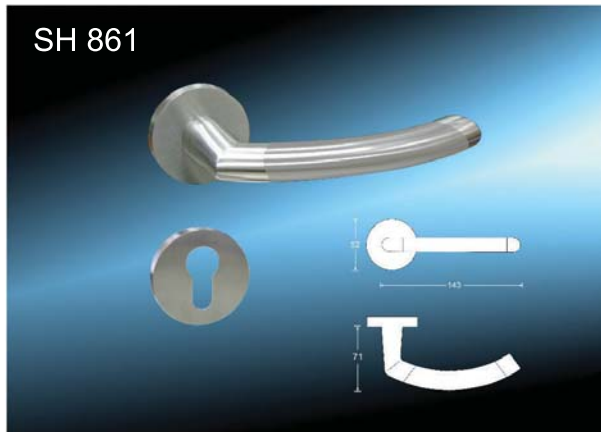
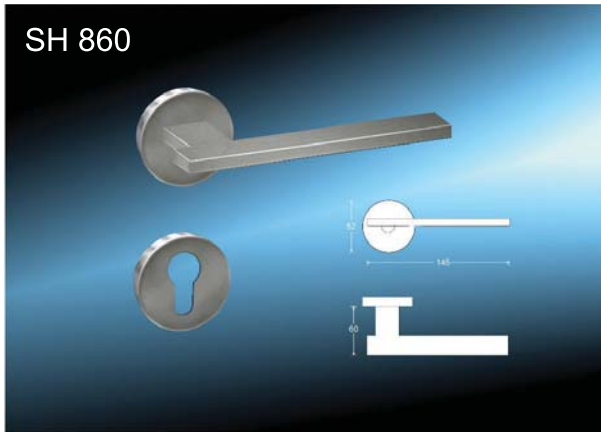
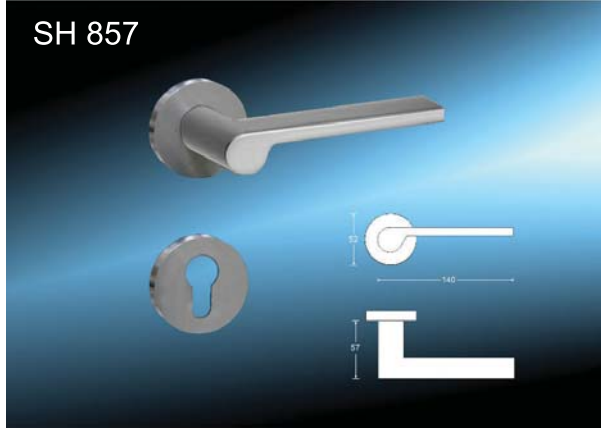
SH 854



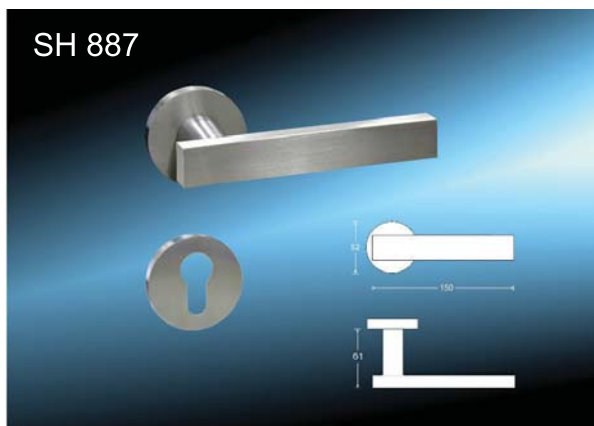
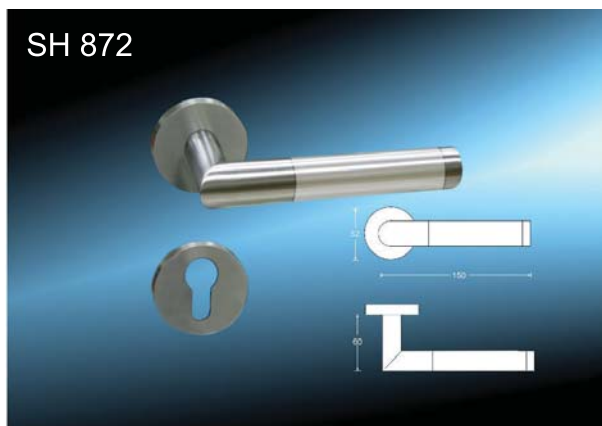
SH 855



# SH SERIES



# SH SERIES





# TH SERIES



# TH SERIES

TH 127



TH 128



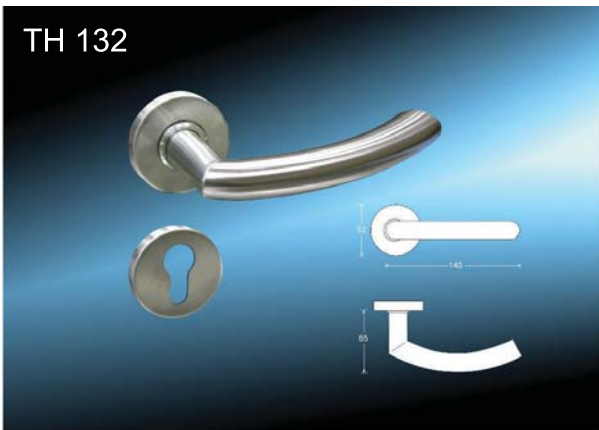
TH 130



TH 131



TH 132

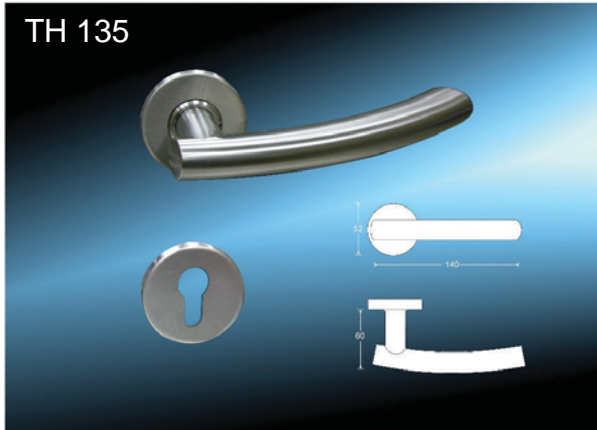


TH 133



# TH SERIES

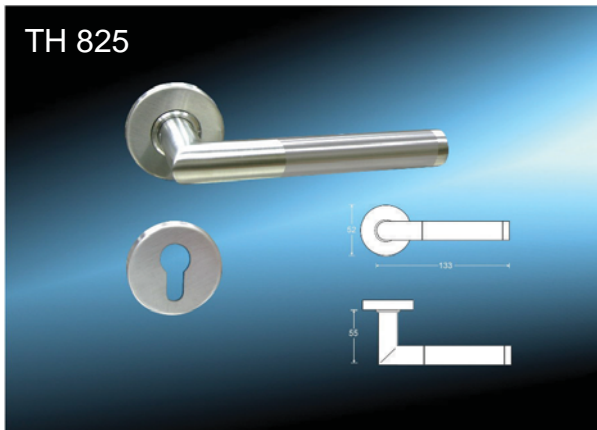
TH 135



TH 137



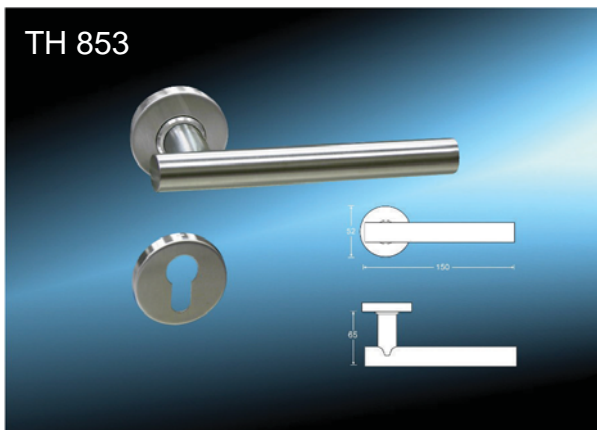
TH 825



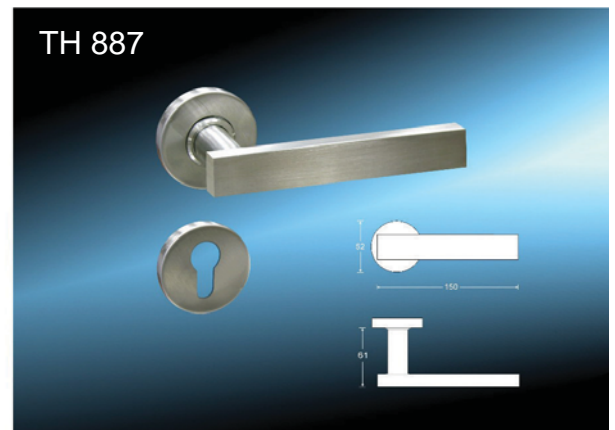
TH 851



TH 853



TH 887



## **DORMA FAR EAST**

**Contact Telephone Nos :**

**Far East Headquarters :**

**DORMA Far East Pte. Ltd.**

31 Gul Lane

Singapore 629425

Tel : (65) 6268 7633

Fax : (65) 6268 7995, 6459 0137

Website : [www.dorma.com.sg](http://www.dorma.com.sg)

Company Reg. No. 1981-03135-W

**Indonesia**

**62-21-754-7658/9**

**Malaysia**

**03-7665-1683**

**Philippines**

**632-893-4077/8**

**Taiwan**

**886-2-2918-2978**

**Thailand**

**662-635-0586/7**

# Stainless Steel Pull Handles

## Product Features

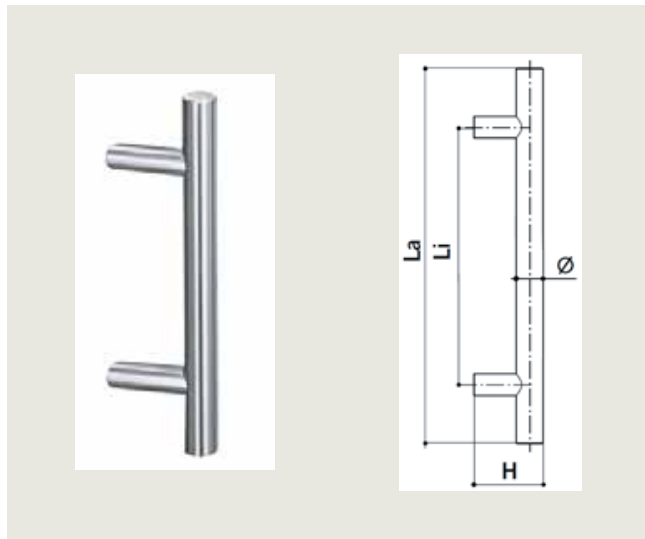
- Fully austenitic 304 grade stainless steel material with drawing or mirror surface treatment
- Length of 350-3000mm can be customised to needs
- Compatible with glass door, timber door and door profiles

## Tests and Accreditations

- Undergone cycle life test with 5000 times of 400N pull load
- Certified to EN BS8424 and ANSI 156.6 accreditation standards
- Certified to EN 1670 maximum grade 4 anti-corrosion requirement

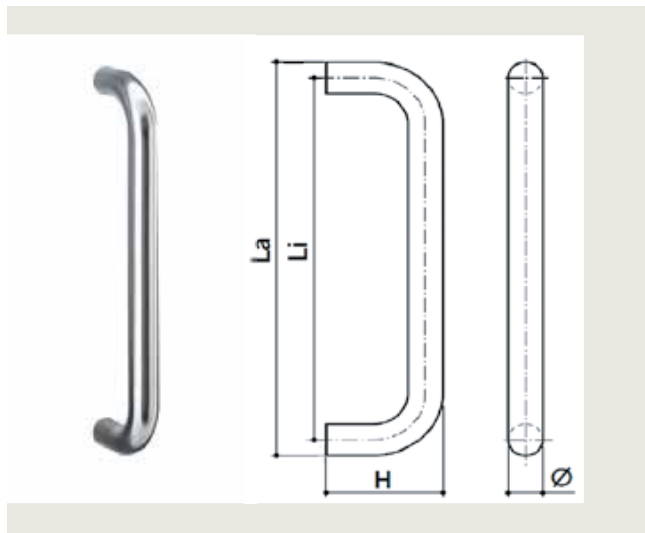


### TG-F-8357 (Order No.: 6819968)



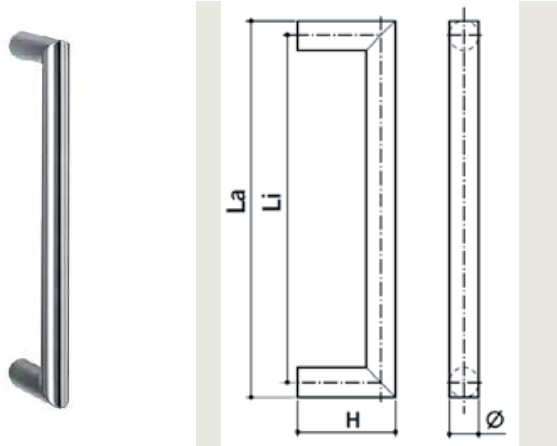
Diameter (Ø)	Wall Thickness	Length (La)	Central Distance (Li)	Foot Height (H)
32	1.2	350	200	65
32	1.2	450	300	65
32	1.2	600	400	65
32	1.2	1000	800	65
32	1.2	1200	800	65
38	1.5	1500	1200	72
38	1.5	1800	1600	72
38	1.5	2000	1800	72
38	1.5	2500	2000	72
38	1.5	3000	2500	72

### TG-F-8355 (Order No.: 6819969)



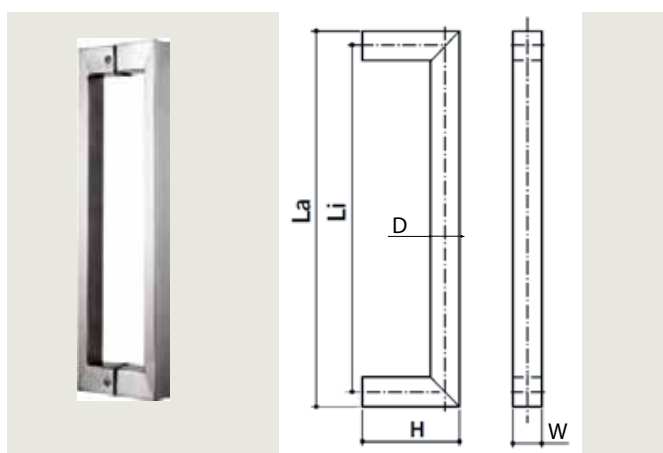
Diameter (Ø)	Wall Thickness	Length (La)	Central Distance (Li)	Foot Height (H)
32	1.2	350	318	80
32	1.2	450	418	80
32	1.2	600	568	80
32	1.2	1000	968	80
32	1.2	1200	1168	80
38	1.5	1500	1462	90
38	1.5	1800	1762	90
38	1.5	2000	1962	90
38	1.5	2500	2462	90
38	1.5	3000	2962	90

**TG-F-8335 (Order No.: 6819970)**



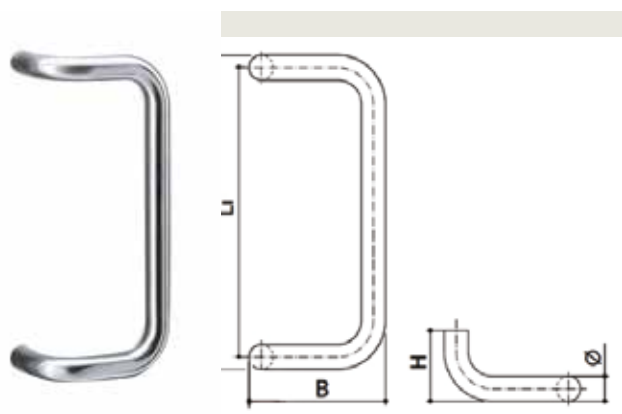
Diameter (Ø)	Wall Thickness	Length (La)	Central Distance (Li)	Foot Height (H)
32	1.5	350	318	72
32	1.5	450	418	72
32	1.5	600	568	72
32	1.5	1000	968	72
32	1.5	1200	1168	72
38	1.5	1500	1468	72
38	1.5	1800	1768	72
38	1.5	2000	1968	72

**TG-F-8600 (Order No.: 6819972)**



Diameter (W x D)	Wall Thickness	Length (La)	Central Distance (Li)	Foot Height (H)
38 x 25	1.2	475	450	65
38 x 25	1.2	600	575	65
38 x 25	1.2	1200	1175	65
38 x 25	1.2	1500	1475	65
50 x 25	1.5	1800	1775	80
50 x 25	1.5	2000	1975	80
50 x 25	1.5	2500	2475	80
25 x 25	1.5	475	450	65
25 x 25	1.2	600	575	65

**TG-F-8357 (Order No.: 6819971)**



Diameter (Ø)	Wall Thickness	Length (La)	Central Distance (Li)	Foot Height (H)	Eccentricity (B)
25	1.2	350	325	65	101
25	1.2	450	425	65	101
32	1.2	600	568	80	140
32	1.2	800	768	80	140
38	1.2	1000	962	90	160
38	1.5	1200	1162	90	160

Measurement Unit: mm

Compatible Door Type	Illustration	Installation Method
Glass door, timber door, door profile		Bilateral Installation
Glass door, timber door, door profile		Unilateral diametric perforation installation
Timber door		Unilateral concealed installation

TS 73 V

—

Door Closer

# EASY TO FIT, ECONOMICAL AND WITH ADJUSTABLE CLOSING FORCE

**Simple, easy installation, and guaranteed quality.**

**Tested to EN 1154**

Specially designed for internal doors, including fire doors, the DORMA TS 73 V is a universal solution for doors of differing designs and styles.

The flat and compact format of the TS 73 V means that there are practically no problems with installation; and tried and trusted quality is your assurance of reliability.

Certified to ISO 9001

**Plus points**

**For the trade**

- One model for all applications.
- Really practical solutions for special installation situations, thanks to the wide range of accessories.

**For the installer**

- Quick and simple to fit. Closing force, closing speed, and latching action all set with just a few manual adjustments.
- Only one design for DIN-L and DIN-R doors, and for standard and framefixing.

**For the designers**

- Compact format in timeless design.
- Attractively-priced solution with optimum reliability.
- Wide range of applications.

**For the user**

- Optimum wall and door protection thanks to “thinking” backcheck.
- Constant closing speed virtually unaffected by temperature fluctuations, with adjustable latch action.
- Smooth door action thanks to high mechanical efficiency.

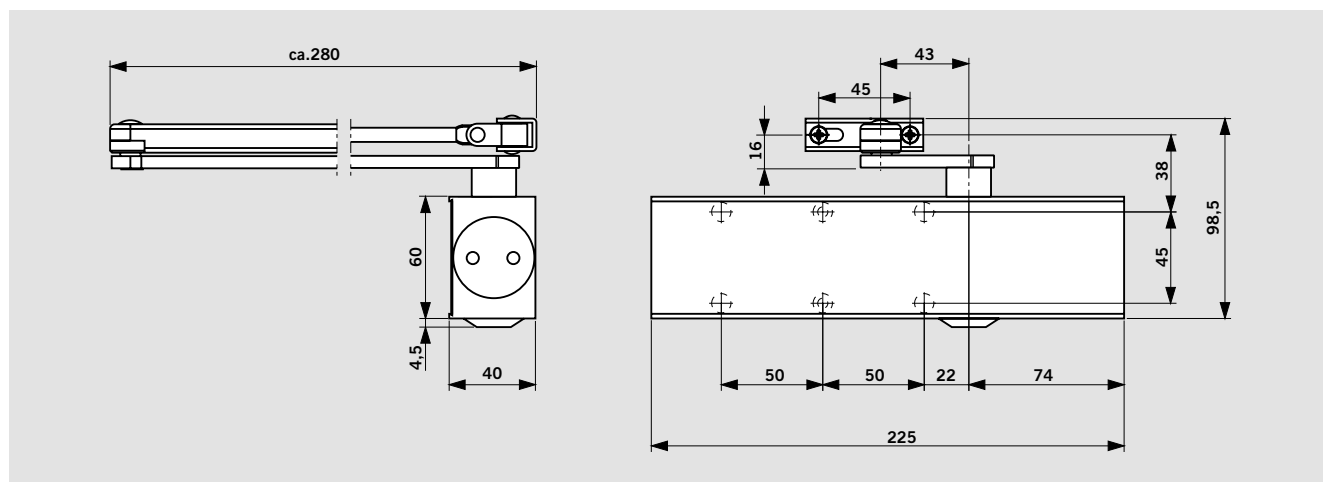
Data and features		TS 73 V
Closing force adjustable	Size	EN 2-4
Standard doors <sup>1)</sup>	≤ 1100 mm	●
External doors, outward opening <sup>1)</sup>		-
Fire and smoke control doors <sup>1)</sup>	≤ 1100 mm	●
Non-handed		●
Arm	Standard	●
	Platform	●
	Slide channel	-
Closing force adjustable by means of setting screw		●
Closing speed	180° – 15°	●
	adjustable at 2 separate valves	15° – 0°
Backcheck	self-regulating	●
	adjustable at valve	●
Adjustable latching action	by arm	●
Delayed action		-
Hold-open		○
Weight in kg		1.3
Dimensions in mm	Length	225
	Overall depth	40
	Height	60
Door closer tested to EN 1154		●
CE mark for construction products		●

● yes – no ○ optional

<sup>1)</sup> For high and heavy doors, external doors, and for doors required to close against high wind pressure, we recommend DORMA TS 83.



The TS 73 V complies with the requirements and/or recommendations of the following: CERTIFIRE approved for fire doors ITT 120; MM/IMM 240; Ref. CF 117





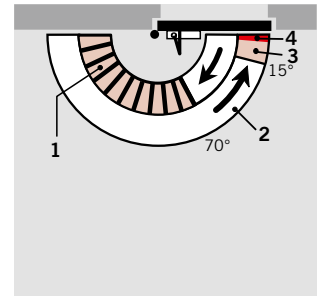
## FEATURES AND OPTIONAL FUNCTIONS

### With “thinking” backcheck (BC/ÖD)

Thanks to an innovative design concept, the resistance developed by this backcheck system as the door is opened beyond approx. 70° is directly proportional to door acceleration. It is almost imperceptible when the door is opened slowly. However, if the door is opened hastily, the backcheck responds in equal measure.

And if the door should be flung open at speed – whether deliberately, thoughtlessly, accidentally or as a result of a gust of wind – the backcheck reacts at full strength, protecting the wall and door from damage.

**If no backcheck function is required, the system can simply be switched off.**

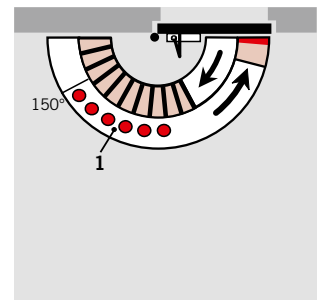


- 1 Self-regulating backcheck
- 2 Infinitely variable closing speed in the range 180° – 15°
- 3 Infinitely variable closing speed in the range 15° – 0°
- 4 Adjustable latch range (by arm)

### With hold-open arm

Combining the TS 73 V with a hold-open arm enables the door to be held open at an appropriate angle (up to approx. 150°).

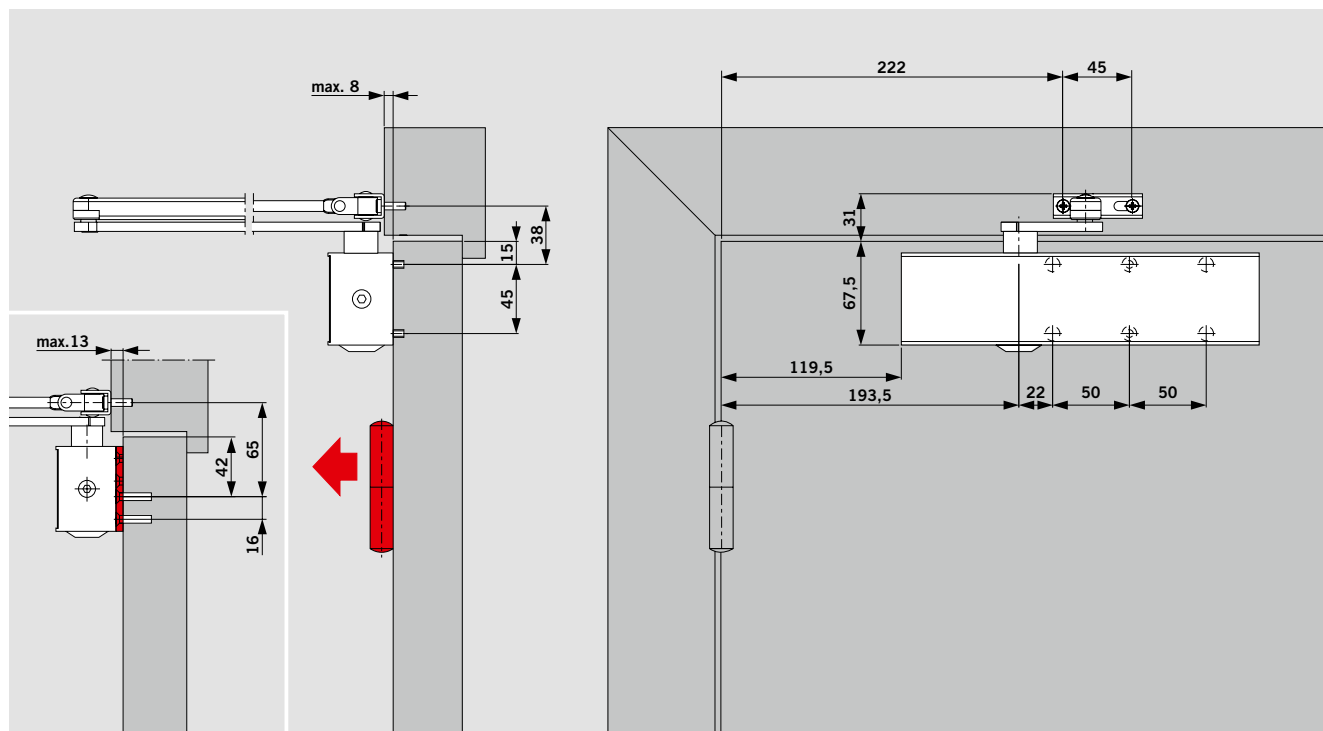
Hold-open arm with switch: The hold-open function can be switched on and off by the user by simply pressing a switch.



- 1 Hold-open range

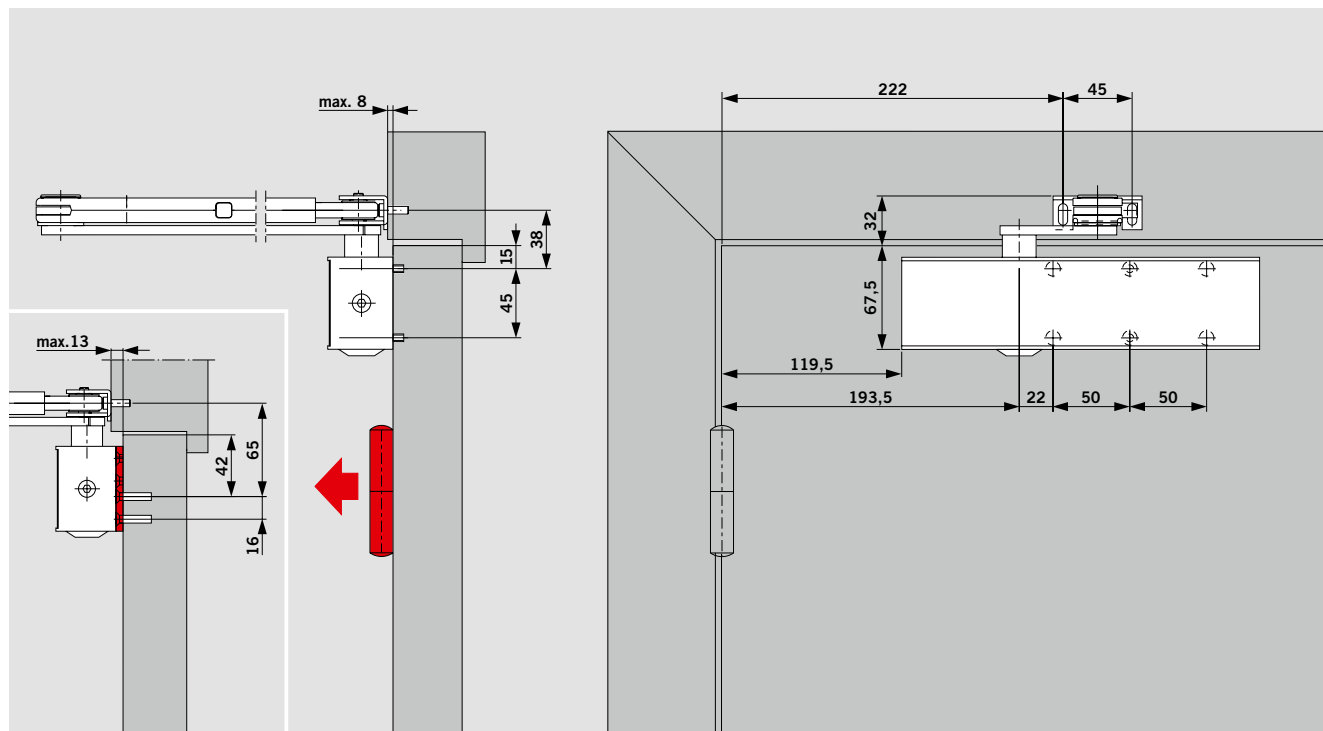
**Hold-open arms are not permitted on fire doors**

## DOOR LEAF FIXING, PULL SIDE



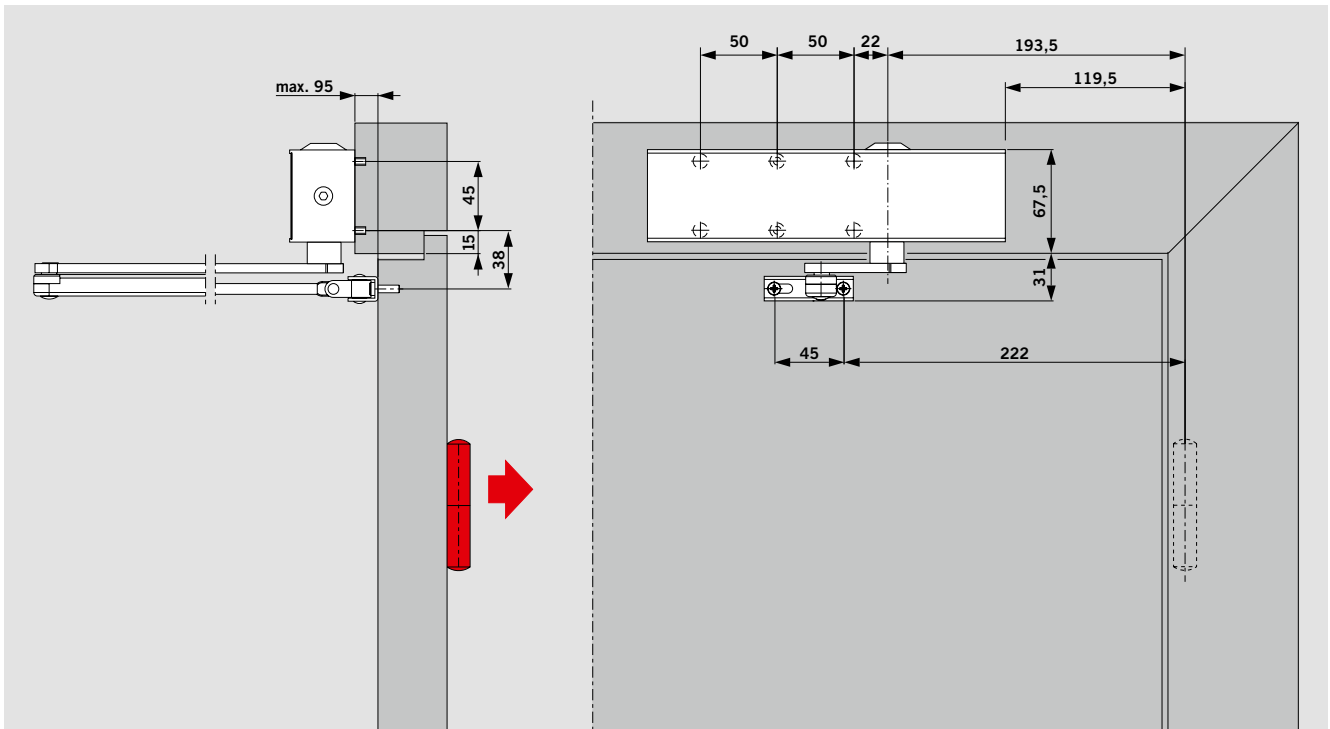
Example shows LH (ISO 6) door; RH (ISO 5) doors mirrored arrangement

## DOOR LEAF FIXING WITH HOLD-OPEN ARM



Example shows LH (ISO 6) door; RH (ISO 5) doors mirrored arrangement

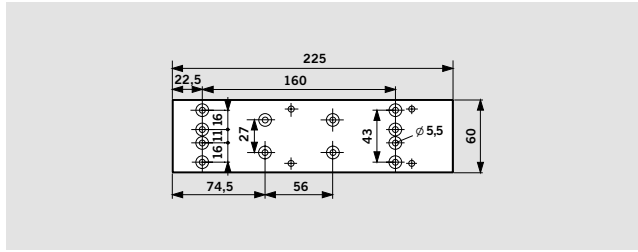
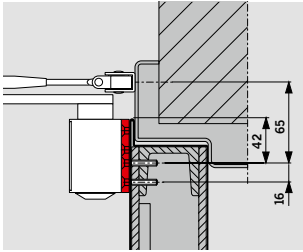
## TRANSOM FIXING, PUSH SIDE



Example shows LH (ISO 6) door; RH (ISO 5) doors mirrored arrangement

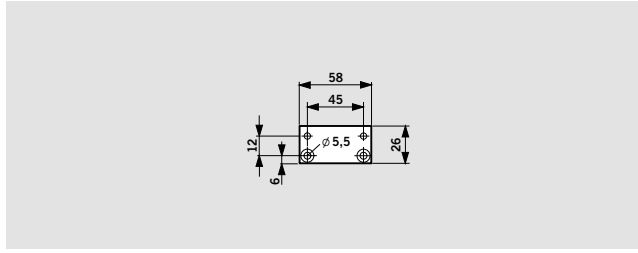
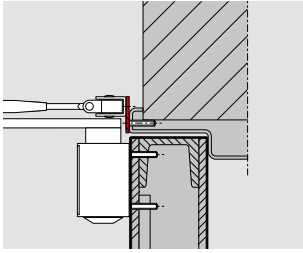
Door closers may only be fitted on the frame of fire doors if proved suitable for the individual door by the issue of an approval certificate from a recognised testing institution.

## ACCESSORIES



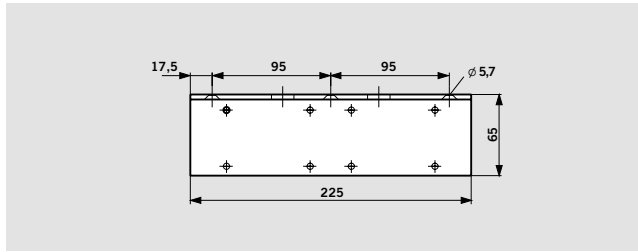
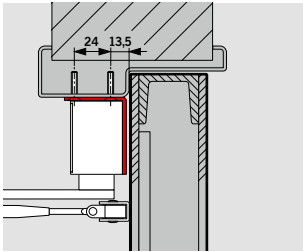
### Mounting plate TS 73 V

For use with fire and smoke check doors and also as an intermediate plate when direct fixing to the door is not possible; with fixing hole pattern to EN 1154, supplement 1.



### Hinge plate TS 73 V / TS 83

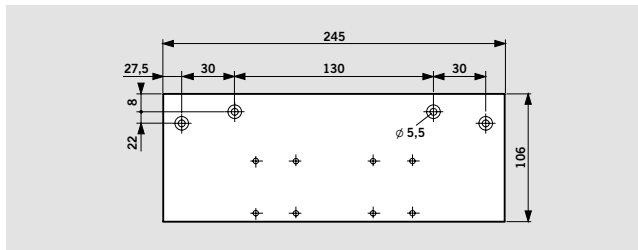
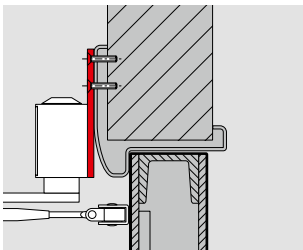
For fixing the arm bracket to particularly narrow door frames.



### Angle bracket TS 73 V

For frame/lintel fixing of the closer on the push side of doors with deep reveals.

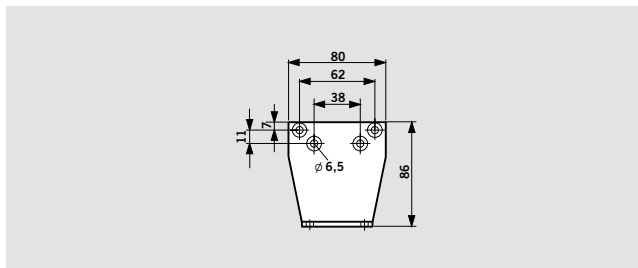
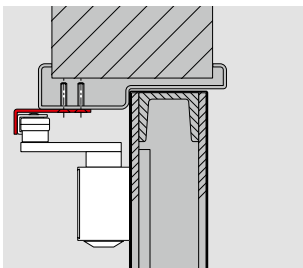
**On fire and smoke check doors, proof of suitability required in relation to the individual door concerned.**



### Drop plate TS 73 V / TS 83

For installation on frame when direct fixing of closer is not possible.

**On fire and smoke check doors, proof of suitability required in relation to the individual door concerned.**

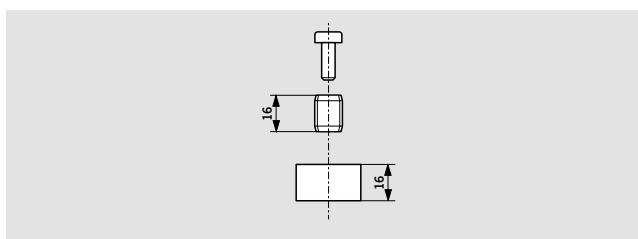
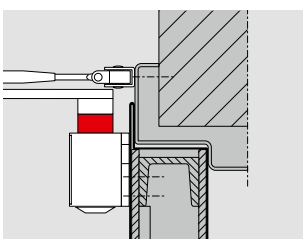


### Parallel arm bracket

#### TS 73 V / TS 83

For parallel arm installation on the push side (see fixing instructions for dimensions).

**On fire and smoke check doors, proof of suitability required in relation to the individual door concerned.**

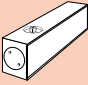


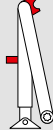
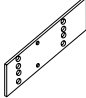
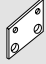
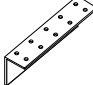
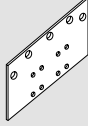




### Spindle extension

#### TS 73 V / TS 83

For increasing the distance between the closer and the arm assembly in the case of doors with a high overlap; 16 mm high.

## RANGE OF EQUIPMENT AND OPTIONAL ACCESSORIES

Closer body TS 73 V	Standard arm	Platform arm	Hold-open arm with on/off switch	Mounting backplate	Hinge plate	Angle bracket	Drop plate	Parallel arm bracket	Spindel extension 16 mm
									
	<input type="checkbox"/> 220023xx	<input type="checkbox"/> 830001xx	<input type="checkbox"/> 220030xx	370001xx	830014xx	370003xx	380002xx	280066xx	83003705
Size EN 2-4	<input checked="" type="checkbox"/> <input type="checkbox"/>	<input checked="" type="checkbox"/> <input type="checkbox"/>	<input checked="" type="checkbox"/> <input type="checkbox"/>	<input type="checkbox"/>	<input type="checkbox"/>	<input type="checkbox"/>	<input type="checkbox"/>	<input type="checkbox"/>	<input type="checkbox"/>
<input checked="" type="checkbox"/> 370101xx									

- Body only
- Arm only
- Optional accessory

xx	Colour
01	Silver
11	White (RAL 9016)
09	Special colour

## SPECIFICATION TEXT

Rack and pinion door closer; with adjustable power size EN 2 – 4, according to EN 1154, carries the CE mark, integral self-regulating back-check; closing speed adjustable in two independent ranges and adjustable latch action. Non-handed.

**Model**

- with standard arm
- with platform arm
- with hold-open arm with on/off switch

### Accessories

**Colour**

- silver
- white (sim. to RAL 9016)
- special colour (sim. to RAL)

**Make**  
DORMA TS 73 V



DORMA GmbH+Co. KG  
DORMA Platz 1  
58256 ENNEPITAL  
GERMANY  
Phone +49 2333 793-0  
Fax +49 2333 793-4950  
[www.dorma.com](http://www.dorma.com)